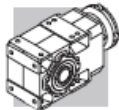


## Коническо-цилиндрический мотор-редуктор Bonfiglioli A202 – A203



### A 20...M

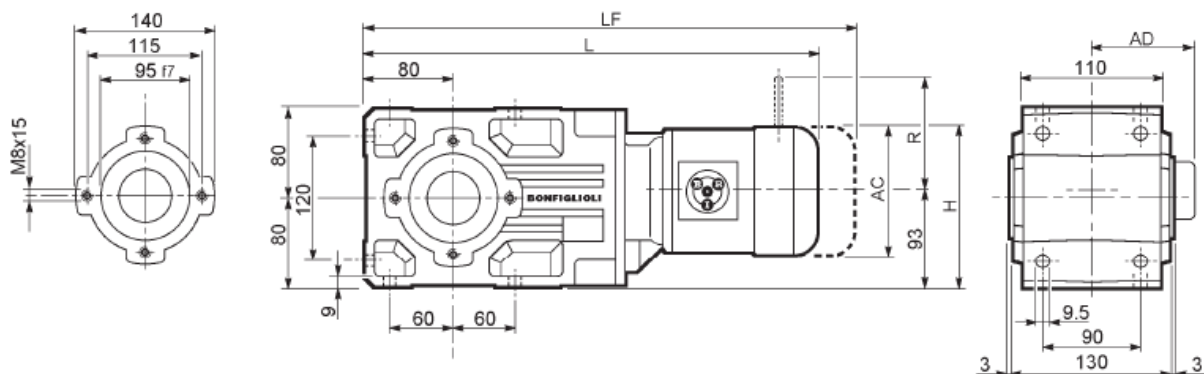


Image	S	M						M_FD		M_FD		M_FA	
			AC	H	L	AD	Kg	LF	Kg	R	AD	R	AD
A 20 2	S05	M05	121	143.5	432	95	16	498	18	96	119	116	95
A 20 2	S1	M1S	138	152	437	108	17	500	19	103	132	124	108
A 20 2	S1	M1L	138	152	461	108	18	522	21	103	132	124	108
A 20 2	S2	M2S	156	161	490	119	22	560	26	129	143	134	119
A 20 2	S3	M3S	195	180.5	533	142	27	629	34	160	155	160	142
A 20 2	S3	M3L	195	180.5	565	142	34	656	41	160	155	160	142
A 20 3	S05	M05	121	143.5	457.5	95	16	553.5	18	96	119	116	95
A 20 3	S1	M1S	138	152	462.5	108	17	555.5	20	103	132	124	108
A 20 3	S1	M1L	138	152	486.5	108	19	577.5	21	103	132	124	108
A 20 3	S2	M2S	156	161	545.5	119	23	615.5	27	129	143	134	119
A 20 3	S3	M3S	195	180.5	588.5	142	28	684.5	35	160	155	160	142
A 20 3	S3	M3L	195	180.5	620.5	142	35	711.5	42	160	155	160	142

### A 20...HS

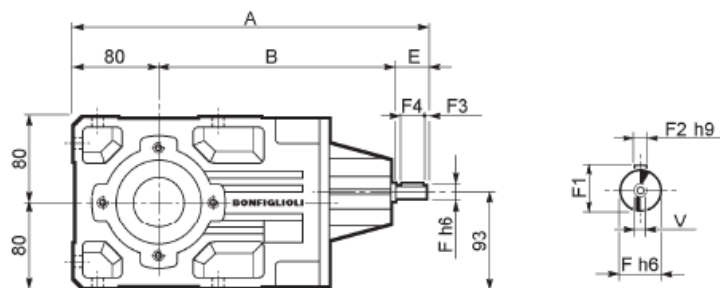
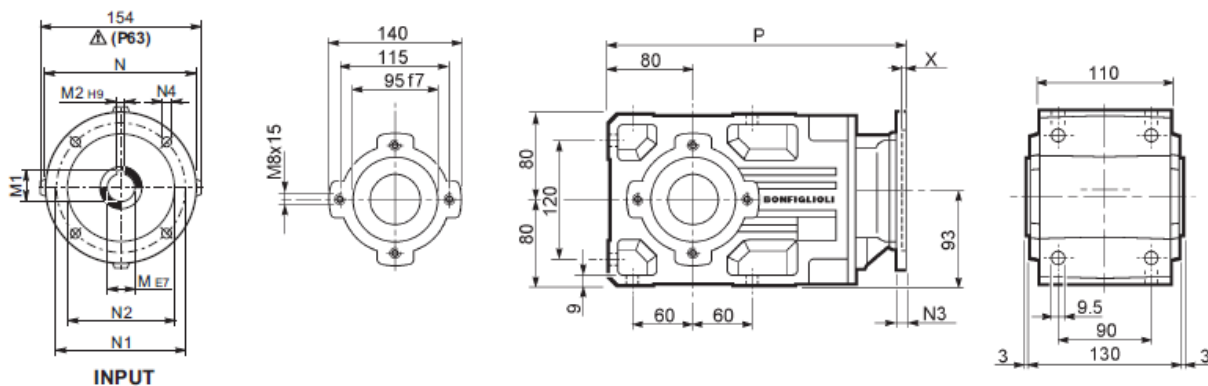
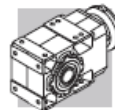


Image	HS	A	B	E	F	F1	F2	F3	F4	V	Kg
A 20 2	HS	356	236	40	19	21.5	6	2.5	35	M6x16	11.9
A 20 3	HS	368.5	248.5	40	16	18	5	2.5	35	M6x16	12.2

## Коническо-цилиндрический редуктор Bonfiglioli A202 – A203

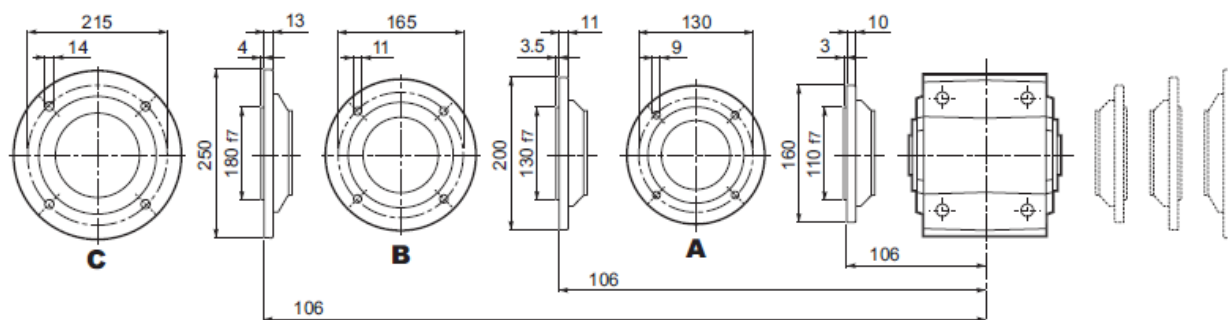
**A 20...P(IEC)**



		M	M1	M2	N	N1	N2	N3	N4	X	P	Kg
A 20 2	P63	11	12.8	4	140	115	95	—	M8x19	4	306	12
A 20 2	P71	14	16.3	5	160	130	110	—	M8x16	4.5	306	12
A 20 2	P80	19	21.8	6	200	165	130	—	M10x12	4	325.5	13
A 20 2	P90	24	27.3	8	200	165	130	—	M10x12	4	325.5	13
A 20 2	P100	28	31.3	8	250	215	180	—	M12x16	4.5	335.5	17
A 20 2	P112	28	31.3	8	250	215	180	—	M12x16	4.5	335.5	17
A 20 3	P63	11	12.8	4	140	115	95	—	M8x19	4	361.5	13
A 20 3	P71	14	16.3	5	160	130	110	—	M8x16	4.5	361.5	13
A 20 3	P80	19	21.8	6	200	165	130	—	M10x12	4	381	14
A 20 3	P90	24	27.3	8	200	165	130	—	M10x12	4	381	14
A 20 3	P100	28	31.3	8	250	215	180	—	M12x16	4.5	391	18
A 20 3	P112	28	31.3	8	250	215	180	—	M12x16	4.5	391	18

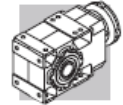
## Конический редуктор Bonfiglioli A202 – A203. Выходной фланец.

**A 20...F...**

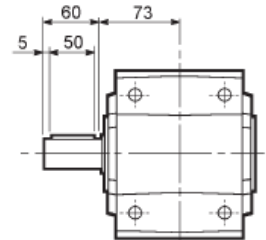
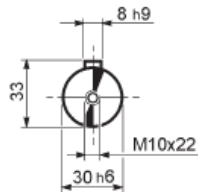


Конический редуктор Bonfiglioli A202 – A203. Выходной вал.

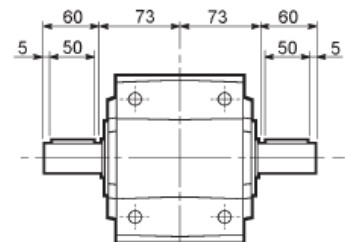
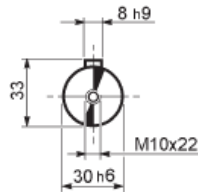
**A 20**



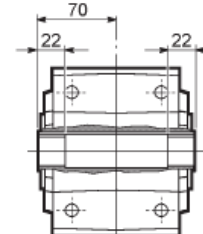
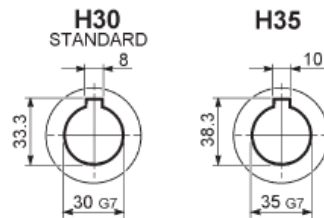
**A 20...UR**



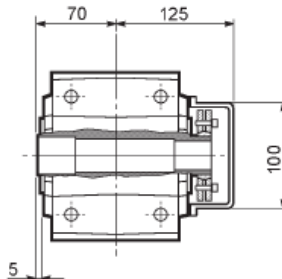
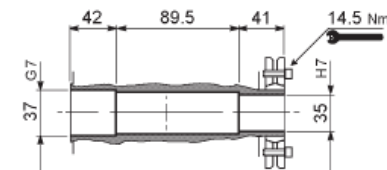
**A 20...UD**



**A 20...UH**

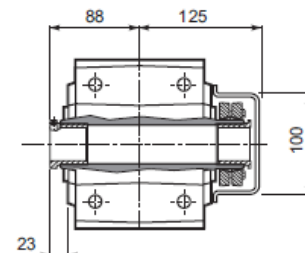
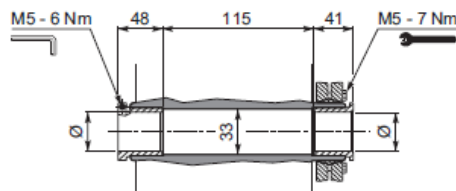


**A 20...US**



**A 20...QF**

	Ø
QF25	25
QF30	30



**A 20...UV**

