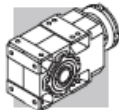


Коническо-цилиндрический мотор-редуктор Bonfiglioli A352 – A353



A 35...M

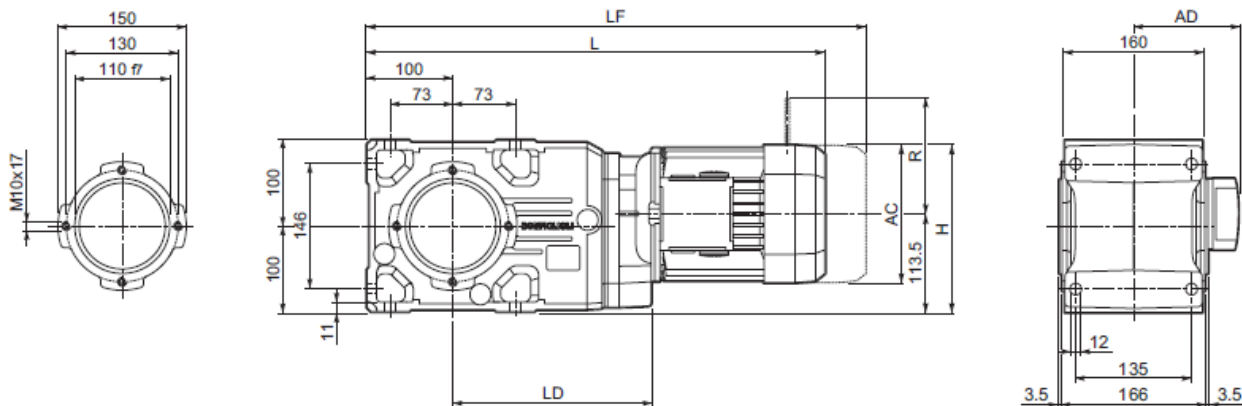


Image	S	M	AC	H	L	LD	AD	Kg	M_FD M_FA		M_FD		M_FA	
									LF	Kg	R	AD	R	AD
	S1	M1S	138	182.5	490.5	217.5	108	32	553.5	35	103	132	124	108
	S1	M1L	138	182.5	514.5	217.5	108	34	575.5	36	103	132	124	108
	S2	M2S	156	191.5	543.5	229.5	119	37	613.5	41	129	143	134	119
	S3	M3S	195	211	586.5	239.5	142	42	682.5	50	160	155	160	142
	S3	M3L	195	211	618.5	239.5	142	50	709.5	57	160	155	160	142
	S4	M4S	258	242.5	726.5	—	193	57	835.5	70	204	193	200	193
	S4	M4L	258	242.5	726.5	—	193	63	835.5	76	204	193	200	193
	S05	M05S	121	174	543	—	95	33	609	34	96	119	116	95
	S1	M1S	138	182.5	548	—	108	33	611	36	103	132	124	108
	S1	M1L	138	182.5	572	—	108	35	633	38	103	132	124	108
	S2	M2S	156	191.5	601	—	119	37	671	41	129	143	134	119
	S3	M3S	195	211	644	—	293	42	740	50	160	155	160	142
	S3	M3L	195	211	676	—	325	50	767	57	160	155	160	142

A 35...HS

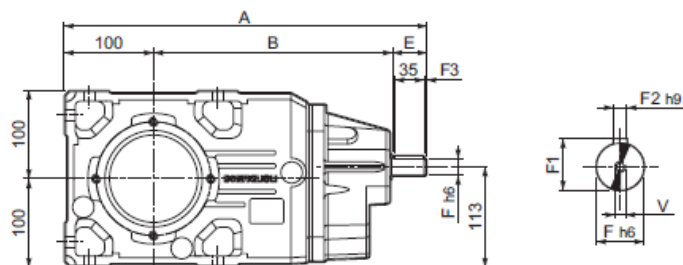
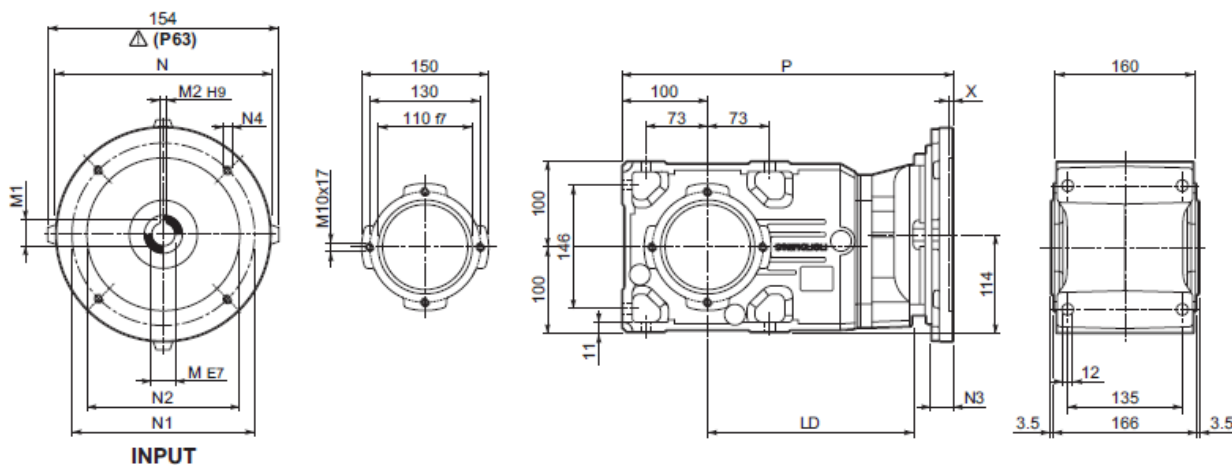
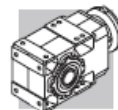


Image	HS	A	B	E	F	F1	F2	F3	F4	V	Kg
	HS	409.5	269.5	40	19	21.5	6	2.5	35	M6x16	29
	HS	424	284	40	19	18	5	2.5	35	M6x16	29

Коническо-цилиндрический редуктор Bonfiglioli A352 – A353

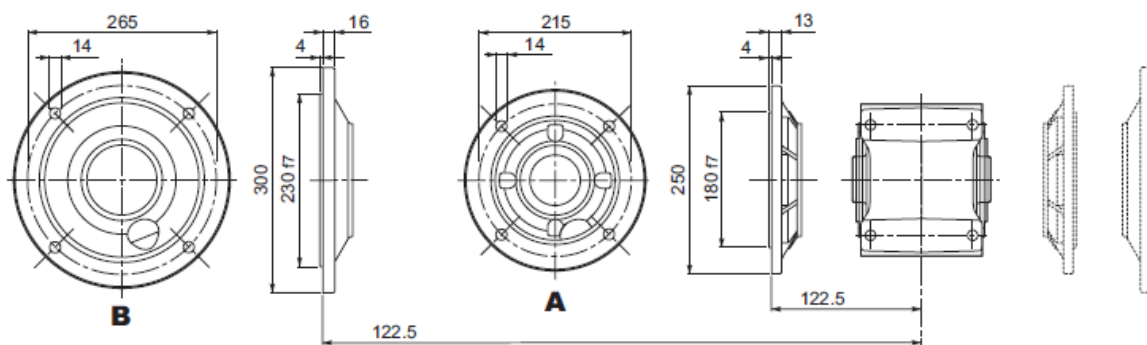
A 35...P(IEC)



		LD	M	M1	M2	N	N1	N2	N3	N4	X	P	Ⓚg
A 35 2	P63	229.5	11	12.8	4	140	115	95	—	M8x19	4	359.5	28
A 35 2	P71	229.5	14	16.3	5	160	130	110	—	M8x16	4.5	359.5	28
A 35 2	P80	239.5	19	21.8	6	200	165	130	—	M10x12	4	379	29
A 35 2	P90	239.5	24	27.3	8	200	165	130	—	M10x12	4	379	29
A 35 2	P100	239.5	28	31.3	8	250	215	180	—	M12x16	4.5	389	32
A 35 2	P112	239.5	28	31.3	8	250	215	180	—	M12x16	4.5	389	32
A 35 2	P132	—	38	41.3	10	300	265	230	16	14	5	425.5	35
A 35 3	P63	—	11	12.8	4	140	115	95	—	M8x19	4	417	29
A 35 3	P71	—	14	16.3	5	160	130	110	—	M8x16	4.5	417	29
A 35 3	P80	—	19	21.8	6	200	165	130	—	M10x12	4	436.5	30
A 35 3	P90	—	24	27.3	8	200	165	130	—	M10x12	4	436.5	30
A 35 3	P100	—	28	31.3	8	250	215	180	—	M12x16	4.5	446.5	34
A 35 3	P112	—	28	31.3	8	250	215	180	—	M12x16	4.5	446.5	34

Конический редуктор Bonfiglioli A352 – A353. Выходной фланец.

A 35...F...

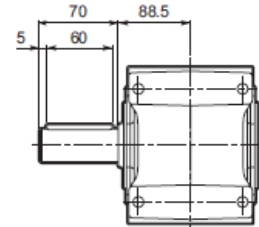
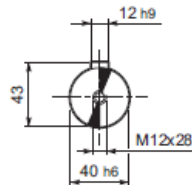


Конический редуктор Bonfiglioli A352 – A353. Выходной вал.

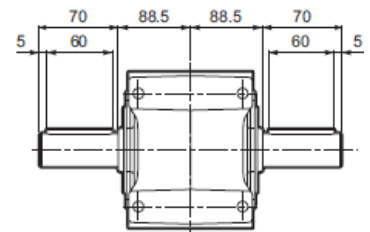
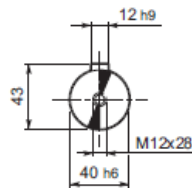
A 35



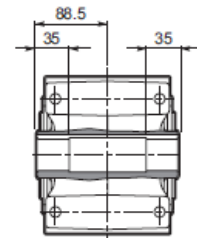
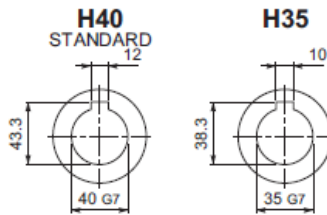
A 35...UR



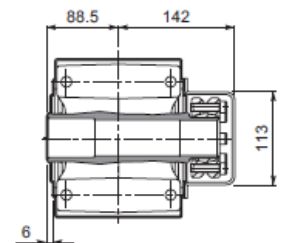
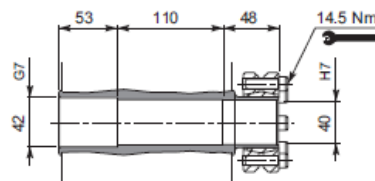
A 35...UD



A 35...UH

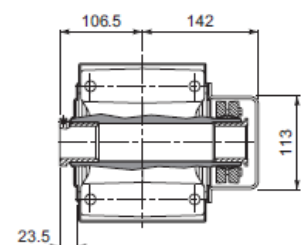
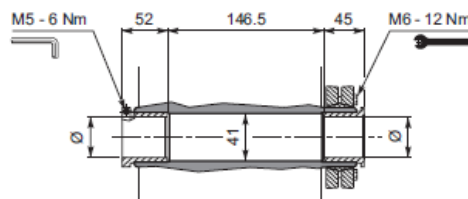


A 35...US



A 35...QF

	Ø
QF30	30
QF35	35
QF40	40



A 35...UV

