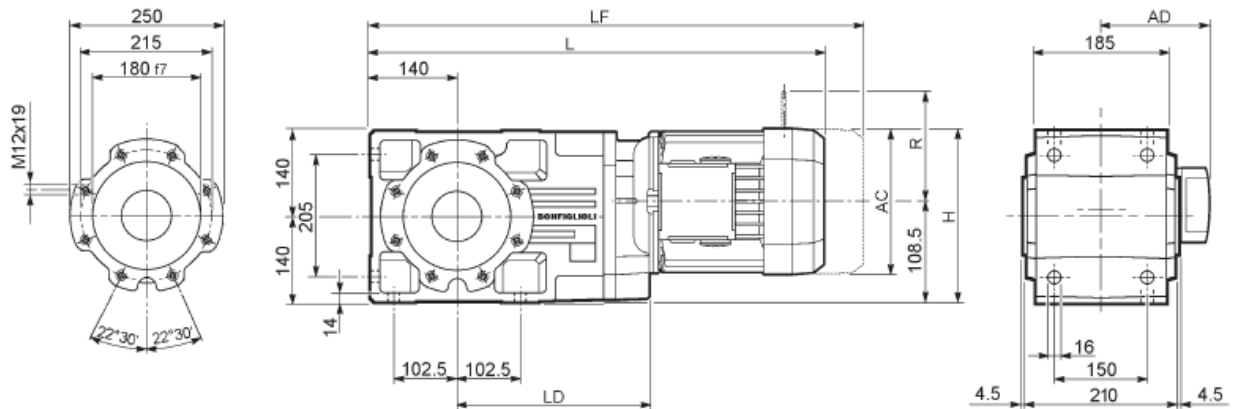


Коническо-цилиндрический мотор-редуктор Bonfiglioli A502 – A503 – A504

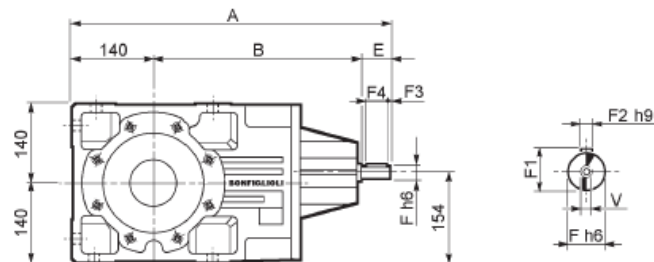


A 50...M



AC	H	L	LD	AD	Kg	M_FD M_FA		M_FD		M_FA				
						LF	Kg	R	AD	R	AD			
A 50 2/3	S1	M1S	138	223	585.5	—	108	65	648.5	67	103	132	124	108
A 50 2/3	S1	M1L	138	223	609.5	—	108	66	670.5	69	103	132	124	108
A 50 2/3	S2	M2S	156	232	638.5	284.5	119	68	708.5	72	129	143	134	119
A 50 2/3	S3	M3S	195	251.5	681.5	299.5	142	73	777.5	81	160	155	160	142
A 50 2/3	S3	M3L	195	251.5	713.5	299.5	142	81	804.5	88	160	155	160	142
A 50 2/3	S4	M4	258	283	821.5	284.5	193	115	930.5	133	226	193	217	193
A 50 2/3	S4	M4LC	258	283	856.5	284.5	193	123	955.5	141	226	193	217	193
A 50 4	S1	M1S	138	223	657	—	108	66	720	68	103	132	124	108
A 50 4	S1	M1L	138	223	681	—	108	67	742	70	103	132	124	108
A 50 4	S2	M2S	156	232	710	—	119	71	780	75	129	143	134	119
A 50 4	S3	M3S	195	251.5	753	—	142	76	849	76	160	155	160	142
A 50 4	S3	M3L	195	251.5	785	—	142	83	876	78	160	155	160	142

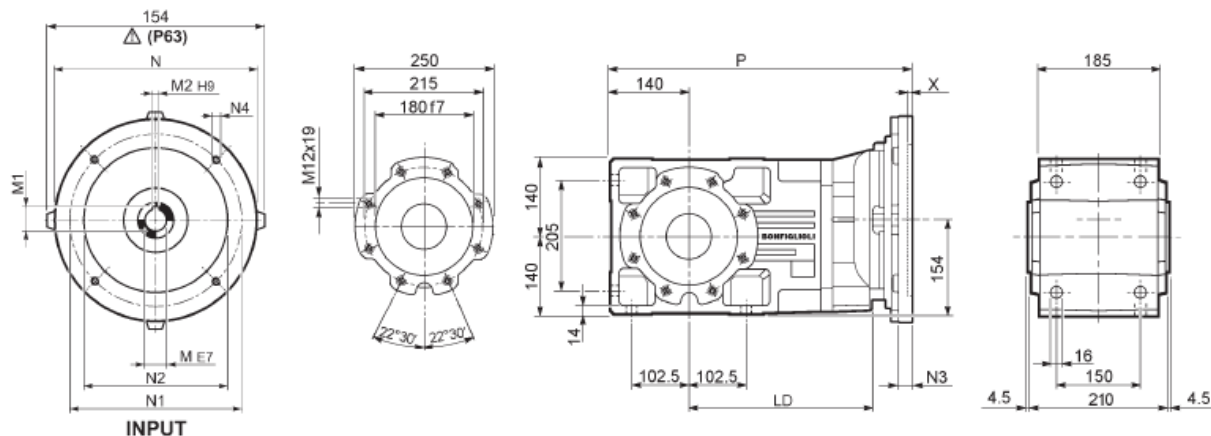
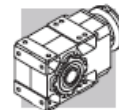
A 50...HS



A	B	E	F	F1	F2	F3	F4	V	Kg		
A 50 2	HS	543.5	353.5	50	24	27	8	2.5	45	M8x19	72
A 50 3		543.5	353.5	50	24	27	8	2.5	45	M8x19	76
A 50 4		576	396	40	19	21.5	6	2.5	35	M6x16	77

Коническо-цилиндрический редуктор Bonfiglioli A502 – A503 – A504

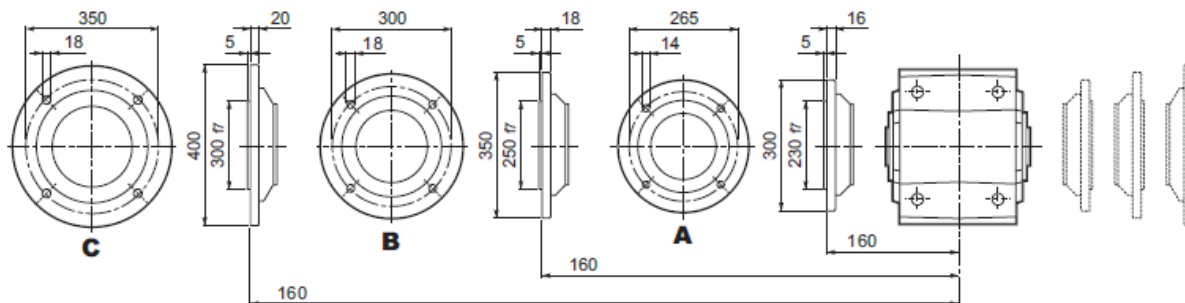
A 50...P(IEC)



		LD	M	M1	M2	N	N1	N2	N3	N4	X	P	Kg
		284.5	11	12.8	4	140	115	95	—	M8x19	4	454.5	60
		284.5	14	16.3	5	160	130	110	—	M8x16	4.5	454.5	60
		299.5	19	21.8	6	200	165	130	—	M10x12	4	474	61
		299.5	24	27.3	8	200	165	130	—	M10x12	4	474	61
		284.5	28	31.3	8	250	215	180	—	M12x16	4.5	484	65
		284.5	28	31.3	8	250	215	180	—	M12x16	4.5	484	65
		284.5	38	41.3	10	300	265	230	16	14	5	520.5	68
		—	42	45.3	12	350	300	250	23	18	5.5	571	72
		—	48	51.8	14	350	300	250	23	18	5.5	571	72
		—	11	12.8	4	140	115	95	—	M8x19	4	526	62
		—	14	16.3	5	160	130	110	—	M8x16	4.5	526	62
		—	19	21.8	6	200	165	130	—	M10x12	4	545.5	63
		—	24	27.3	8	200	165	130	—	M10x12	4	545.5	63
		—	28	31.3	8	250	215	180	—	M12x16	4.5	555.5	67
		—	28	31.3	8	250	215	180	—	M12x16	4.5	555.5	67

Конический редуктор Bonfiglioli A502 – A503 – A504. Выходной фланец.

A 50...F...

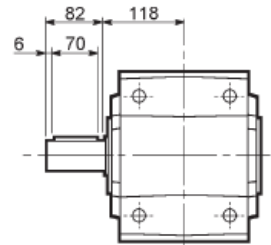
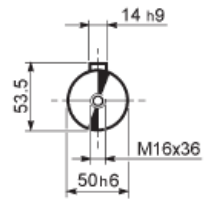


Конический редуктор Bonfiglioli A502 – A503 – A504. Выходной вал.

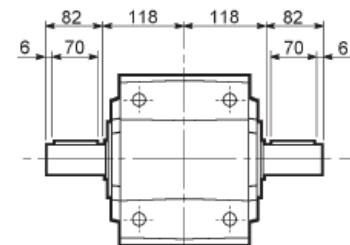
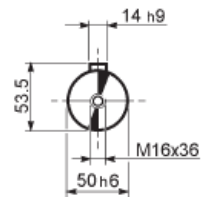
A 50



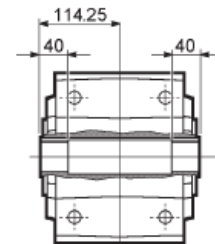
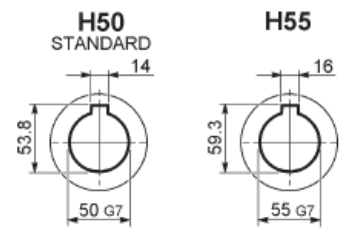
A 50...UR



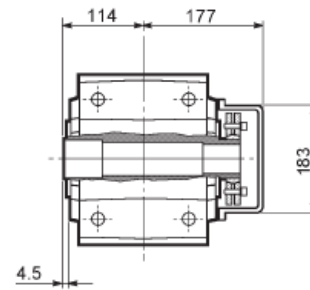
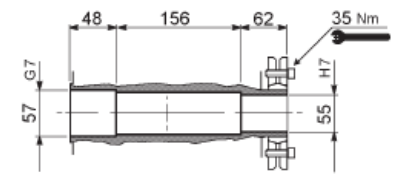
A 50...UD



A 50...UH

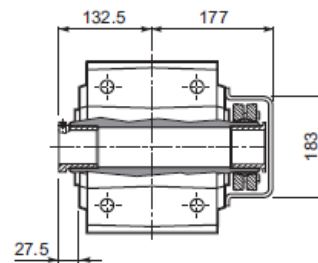
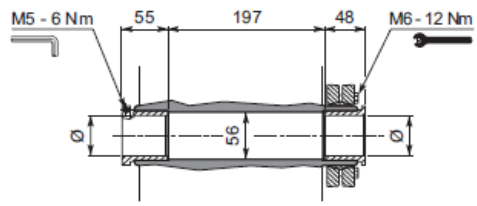


A 50...US



A 50...QF

	Ø
QF45	45
QF50	50
QF55	55



A 50...UV

