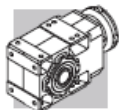
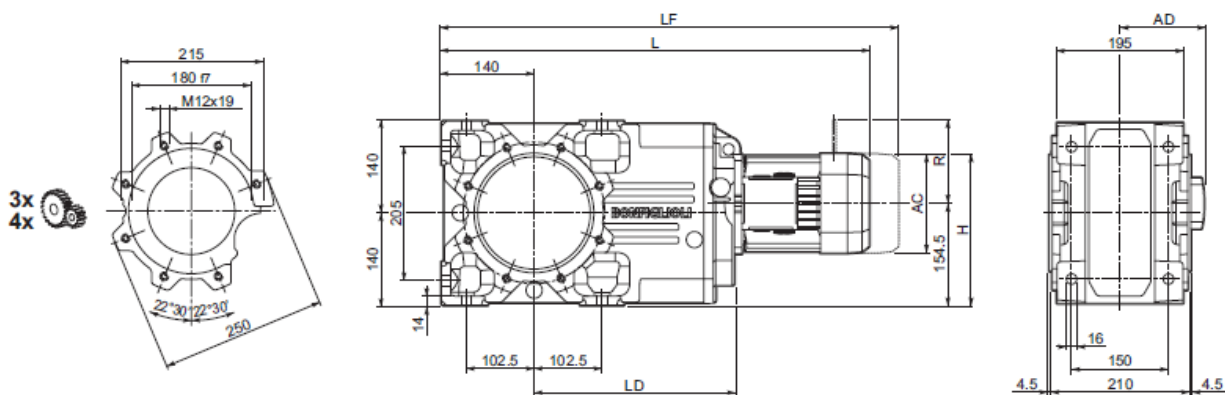


Коническо-цилиндрический мотор-редуктор Bonfiglioli A552 – A553 – A554

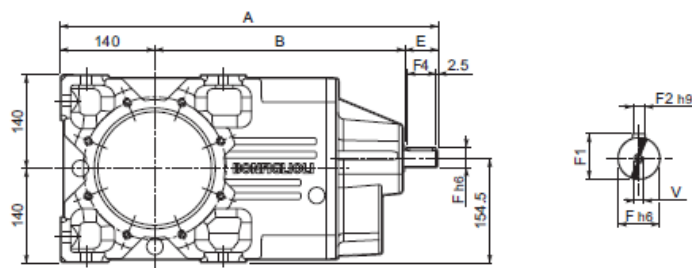


A 55...M



			AC	H	L	LD	AD	Kg	M_FD M_FA		M_FD		M_FA	
									LF	Kg	R	AD	R	AD
A 55 3	S1	M1S	138	198.5	603.5	—	108	80	666.5	82	103	132	124	108
A 55 3	S1	M1L	138	198.5	627.5	—	108	81	688.5	84	103	132	124	108
A 55 2/3	S2	M2S	156	232	656.5	302.5	119	88	726.5	92	129	143	134	119
A 55 2/3	S3	M3S	195	251	699.5	317.5	142	93	795.5	99	160	155	160	142
A 55 2/3	S3	M3L	195	251	731.5	317.5	142	101	822.5	108	160	155	160	142
A 55 2/3	S4	M4	258	283	839.5	302.5	193	135	948.5	153	226	193	217	193
A 55 2/3	S4	M4LC	258	283	874.5	302.5	193	143	973.5	161	226	193	217	193
A 55 2/3	S5	M5S	310	309.5	896.5	—	245	163	1036.5	193	266	245	247	245
A 55 2/3	S5	M5L	310	309.5	940.5	—	245	179	1080.5	209	266	245	247	245
A 55 4	S1	M1S	138	223	675	—	108	81	738	83	103	132	124	108
A 55 4	S1	M1L	138	223	699	—	108	82	760	85	103	132	124	108
A 55 4	S2	M2S	156	232	728	—	119	86	798	90	129	143	134	119
A 55 4	S3	M3S	195	251.5	771	—	142	91	867	98	160	155	160	142
A 55 4	S3	M3L	195	251.5	803	—	142	98	894	105	160	155	160	142

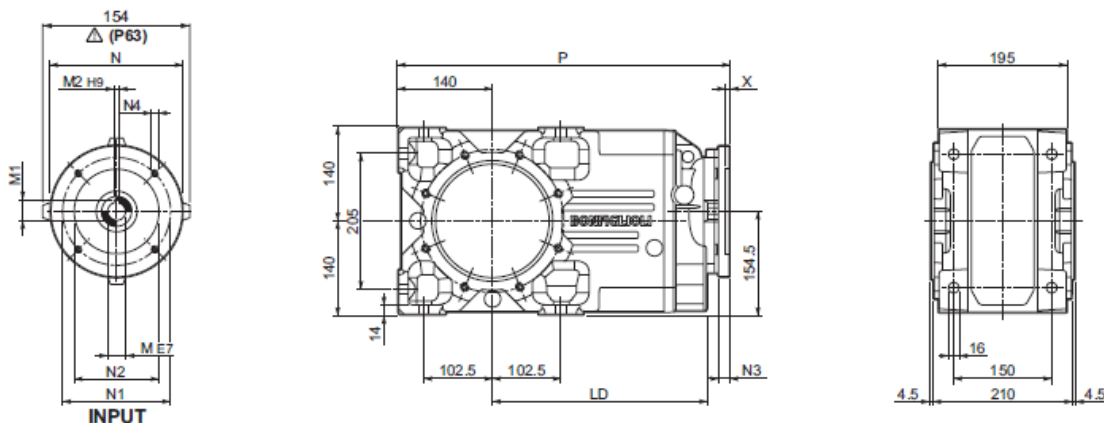
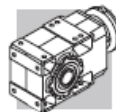
A 55...HS



		A	B	E	F	F1	F2	F3	F4	V	Kg
A 55 2	HS	561.5	371.5	50	24	27	8	2.5	45	M8x19	96
A 55 3		561.5	371.5	50	24	27	8	2.5	45	M8x19	91
A 55 4		594	414	40	19	21.5	6	2.5	35	M6x16	92

Коническо-цилиндрический редуктор Bonfiglioli A552 – A553 – A554

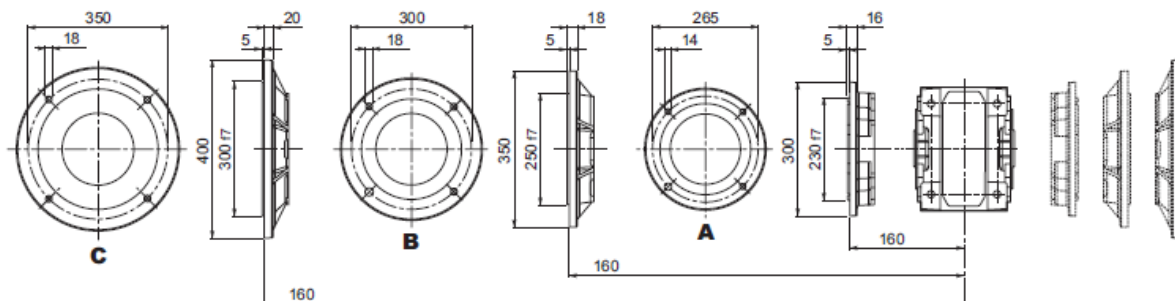
A 55...P(IEC)



		LD	M	M1	M2	N	N1	N2	N3	N4	X	P	Кг
A 55 3	P63	302.5	11	12.8	4	140	115	95	—	M8x19	4	472.5	75
A 55 3	P71	302.5	14	16.3	5	160	130	110	—	M8x16	4.5	472.5	75
A 55 2/3	P80	317.5	19	21.8	6	200	165	130	—	M10x12	4	492	81
A 55 2/3	P90	317.5	24	27.3	8	200	165	130	—	M10x12	4	492	81
A 55 2/3	P100	302.5	28	31.3	8	250	215	180	—	M12x16	4.5	502	85
A 55 2/3	P112	302.5	28	31.3	8	250	215	180	—	M12x16	4.5	502	85
A 55 2/3	P132	302.5	38	41.3	10	300	265	230	16	14	5	538.5	93
A 55 2/3	P160	—	42	45.3	12	350	300	250	23	18	5.5	589	110
A 55 2/3	P180	—	48	51.8	14	350	300	250	23	18	5.5	589	110
A 55 4	P63	—	11	12.8	4	140	115	95	—	M8x19	4	544	77
A 55 4	P71	—	14	16.3	5	160	130	110	—	M8x16	4.5	544	77
A 55 4	P80	—	19	21.8	6	200	165	130	—	M10x12	4	563.5	78
A 55 4	P90	—	24	27.3	8	200	165	130	—	M10x12	4	563.5	78
A 55 4	P100	—	28	31.3	8	250	215	180	—	M12x16	4.5	573.5	82
A 55 4	P112	—	28	31.3	8	250	215	180	—	M12x16	4.5	573.5	82

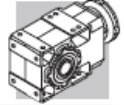
Конический редуктор Bonfiglioli A552 – A553 – A554. Выходной фланец.

A 55...F...

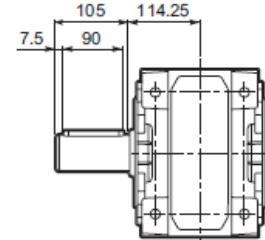
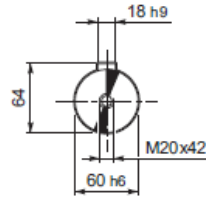


Конический редуктор Bonfiglioli A552 – A553 – A554. Выходной вал.

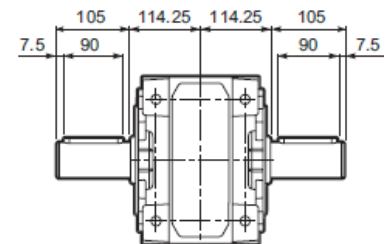
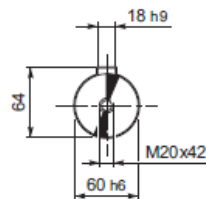
A 55



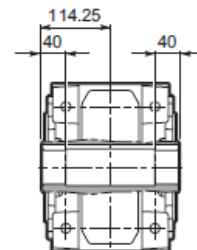
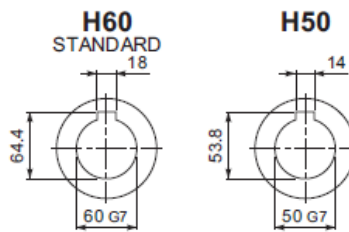
A 55...UR



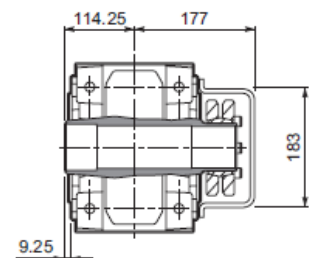
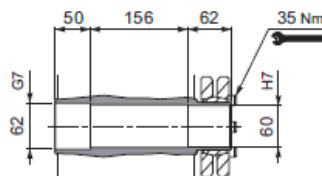
A 55...UD



A 55...UH

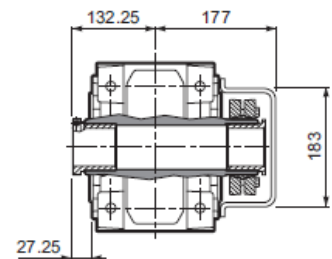
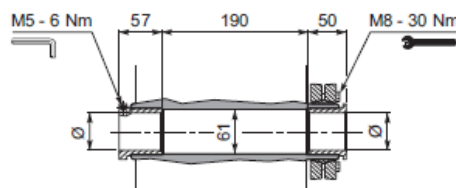


A 55...US



A 55...QF

	Ø
QF45	45
QF50	50
QF55	55
QF60	60



A 55...UV

