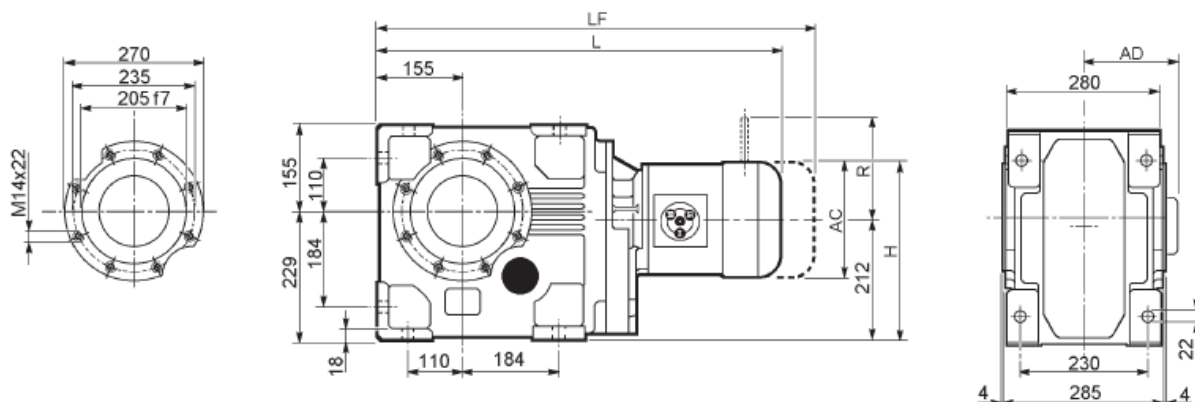


Коническо-цилиндрический мотор-редуктор Bonfiglioli A703 – A704

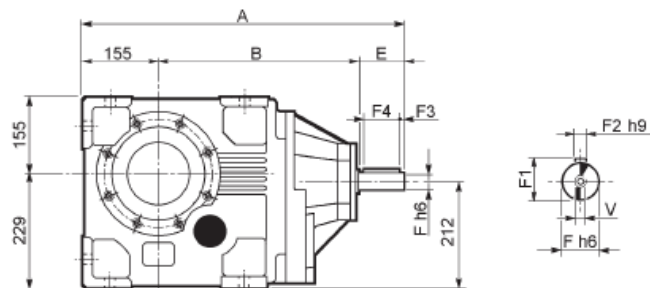


**A 70...M**



								M_FD M_FA		M_FD		M_FA	
			AC	H	L	AD	kg	LF	kg	R	AD	R	AD
A 70 3	S2	M2S	156	290	688.5	119	152	758.5	156	129	143	134	119
A 70 3	S3	M3S	195	309.5	731.5	142	157	827.5	164	160	155	160	142
A 70 3	S3	M3L	195	309.5	763.5	142	164	854.5	171	160	155	160	142
A 70 3	S4	M4	258	341	872.5	193	198	981.5	216	226	193	217	193
A 70 3	S4	M4LC	258	341	907.5	193	206	1006.5	224	226	193	217	193
A 70 3	S5	M5S	310	367	958	245	226	1098	256	266	245	247	245
A 70 3	S5	M5L	310	367	1002	245	242	1142	272	266	245	247	245
A 70 4	S1	M1S	138	281	686.5	108	151	749.5	154	103	132	124	108
A 70 4	S1	M1L	138	281	710.5	108	152	771.5	155	103	132	124	108
A 70 4	S2	M2S	156	290	739.5	119	156	809.5	160	129	143	134	119
A 70 4	S3	M3S	195	309.5	782.5	142	161	878.5	168	160	155	160	142
A 70 4	S3	M3L	195	309.5	814.5	142	168	905.5	175	160	155	160	142
A 70 4	S4	M4	258	341	922.5	193	202	1031.5	220	226	193	217	193

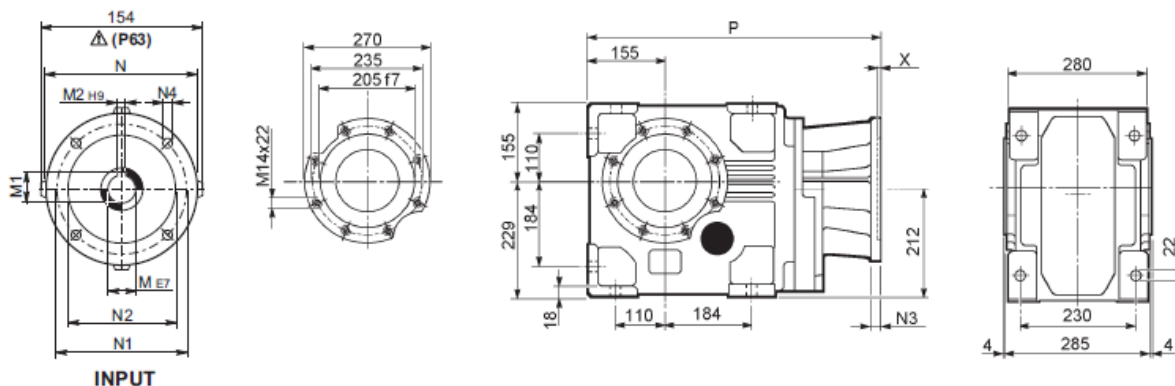
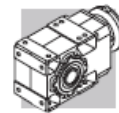
**A 70...HS**



		A	B	E	F	F1	F2	F3	F4	V	kg
A 70 3	HS	708.5	443.5	110	42	45	12	10	90	M12x28	165
A 70 4		644.5	439.5	50	24	27	8	2.5	45	M8x19	149

Коническо-цилиндрический редуктор Bonfiglioli A703 – A704

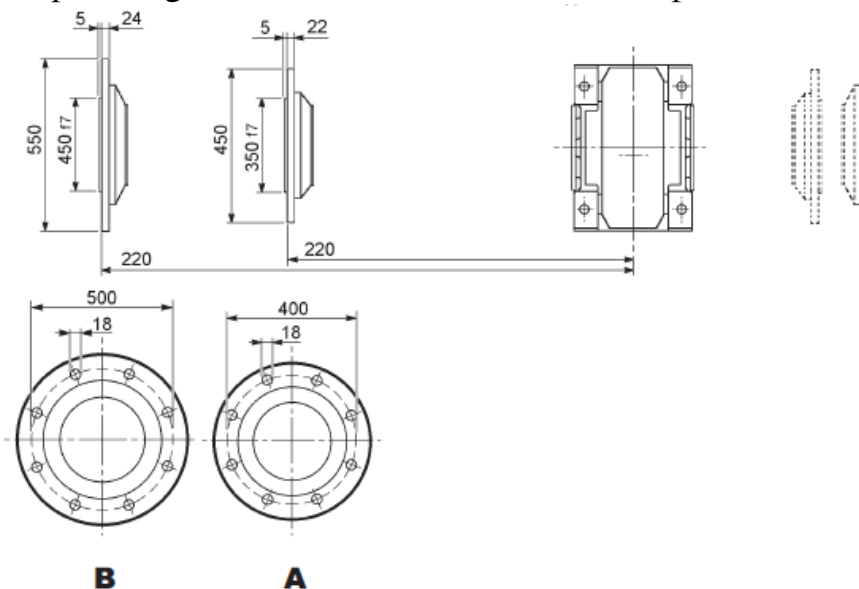
**A 70...P(IEC)**



		M	M1	M2	N	N1	N2	N3	N4	X	P	kg		
		A 70 3	P80	19	21.8	6	200	165	130	—	M10x12	4	524	144
		A 70 3	P90	24	27.3	8	200	165	130	—	M10x12	4	524	144
		A 70 3	P100	28	31.3	8	250	215	180	—	M12x16	4.5	534	146
		A 70 3	P112	28	31.3	8	250	215	180	—	M12x16	4.5	534	146
		A 70 3	P132	38	41.3	10	300	265	230	16	14	5	570.5	154
		A 70 3	P160	42	45.3	12	350	300	250	23	18	6	626	169
		A 70 3	P180	48	51.8	14	350	300	250	23	18	6	626	169
		A 70 3	P200	55	59.3	16	400	350	300	—	M16x25	7	651	179
		A 70 4	P63	11	12.8	4	140	115	95	—	M8x19	4	555.5	146
		A 70 4	P71	14	16.3	5	160	130	110	—	M8x16	4.5	555.5	146
		A 70 4	P80	19	21.8	6	200	165	130	—	M10x12	4	575	147
		A 70 4	P90	24	27.3	8	200	165	130	—	M10x12	4	575	147
		A 70 4	P100	28	31.3	8	250	215	180	—	M12x16	4.5	585	148
		A 70 4	P112	28	31.3	8	250	215	180	—	M12x16	4.5	585	148
		A 70 4	P132	38	41.3	10	300	265	230	16	14	5	618.5	157

Конический редуктор Bonfiglioli A703 – A704. Выходной фланец.

**A 70...F...**

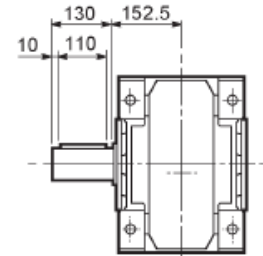
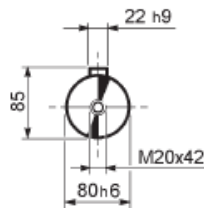


Конический редуктор Bonfiglioli A703 – A704. Выходной вал.

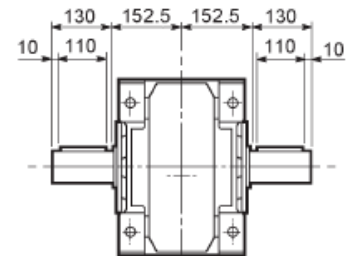
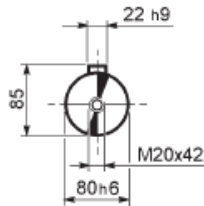


**A 70**

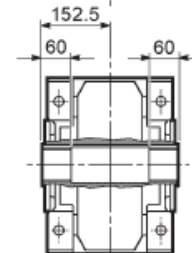
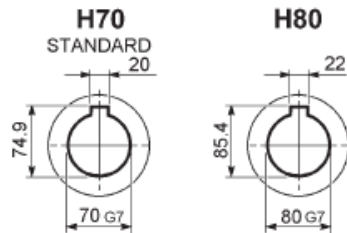
**A 70...UR**



**A 70...UD**



**A 70...UH**



**A 70...US**

