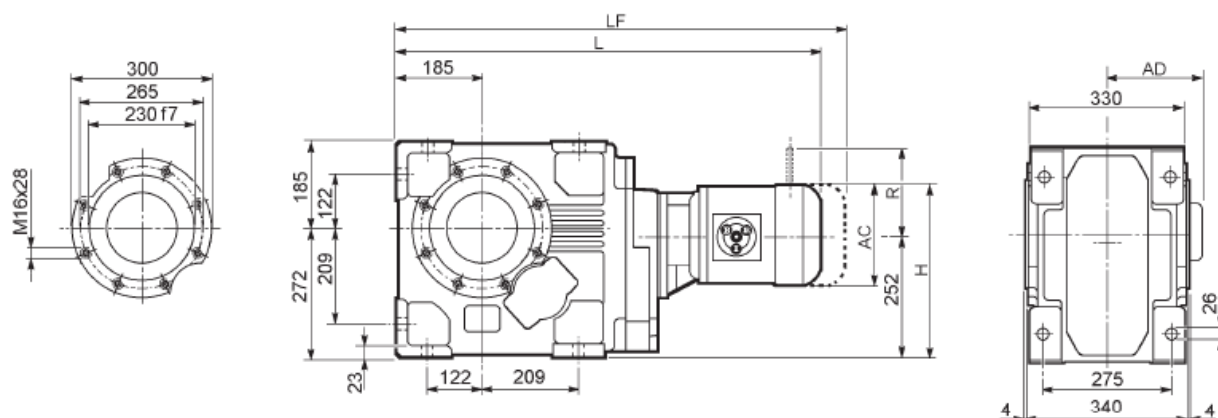
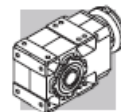


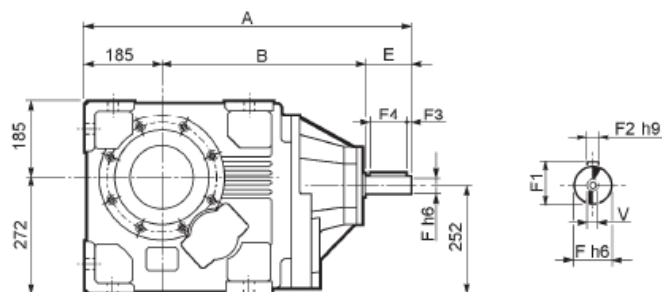
Коническо-цилиндрический мотор-редуктор Bonfiglioli A803 – A804

**A 80...M**



| Image | S  | M    | AC  | H     | L      | AD  | Kg  | M_FD<br>M_FA |     | M_FD |     | M_FA |     |
|-------|----|------|-----|-------|--------|-----|-----|--------------|-----|------|-----|------|-----|
|       |    |      |     |       |        |     |     | LF           | Kg  | R    | AD  | R    | AD  |
|       | S3 | M3S  | 195 | 349.5 | 809.5  | 142 | 256 | 905.5        | 264 | 160  | 155 | 160  | 142 |
|       | S3 | M3L  | 195 | 349.5 | 841.5  | 142 | 264 | 932.5        | 271 | 160  | 155 | 160  | 142 |
|       | S4 | M4   | 258 | 381   | 949.5  | 193 | 298 | 1058.5       | 316 | 226  | 193 | 217  | 193 |
|       | S4 | M4LC | 258 | 381   | 984.5  | 193 | 306 | 1083.5       | 324 | 226  | 193 | 217  | 193 |
|       | S5 | M5S  | 310 | 407   | 1036   | 245 | 326 | 1176         | 356 | 266  | 245 | 247  | 245 |
|       | S5 | M5L  | 310 | 407   | 1080   | 245 | 342 | 1220         | 372 | 266  | 245 | 247  | 245 |
|       | S1 | M1S  | 138 | 321   | 776.5  | 108 | 245 | 839.5        | 247 | 103  | 132 | 124  | 108 |
|       | S1 | M1L  | 138 | 321   | 800.5  | 108 | 246 | 861.5        | 249 | 103  | 132 | 124  | 108 |
|       | S2 | M2S  | 156 | 330   | 829.5  | 119 | 250 | 899.5        | 254 | 129  | 143 | 134  | 119 |
|       | S3 | M3S  | 195 | 349.5 | 872.5  | 142 | 255 | 968.5        | 262 | 160  | 155 | 160  | 142 |
|       | S3 | M3L  | 195 | 349.5 | 904.5  | 142 | 262 | 995.5        | 269 | 160  | 155 | 160  | 142 |
|       | S4 | M4   | 258 | 381   | 1012.5 | 193 | 296 | 1121.5       | 314 | 226  | 193 | 217  | 193 |

**A 80...HS**

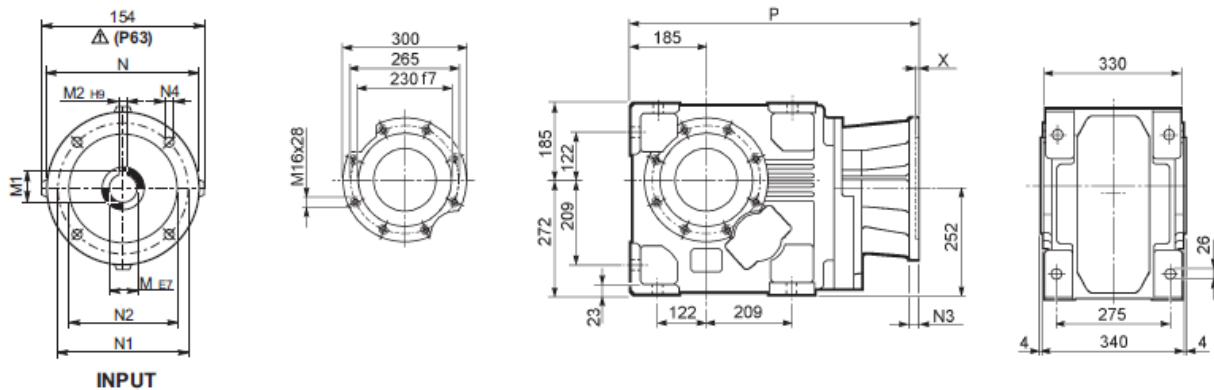


| Image | HS | A     | B     | E   | F  | F1 | F2 | F3  | F4 | V      | Kg  |
|-------|----|-------|-------|-----|----|----|----|-----|----|--------|-----|
|       | HS | 786.5 | 491.5 | 110 | 42 | 45 | 12 | 10  | 90 | M12x28 | 265 |
|       | HS | 735   | 499   | 50  | 24 | 27 | 8  | 2.5 | 45 | M8x19  | 250 |

Коническо-цилиндрический редуктор Bonfiglioli A803 – A804



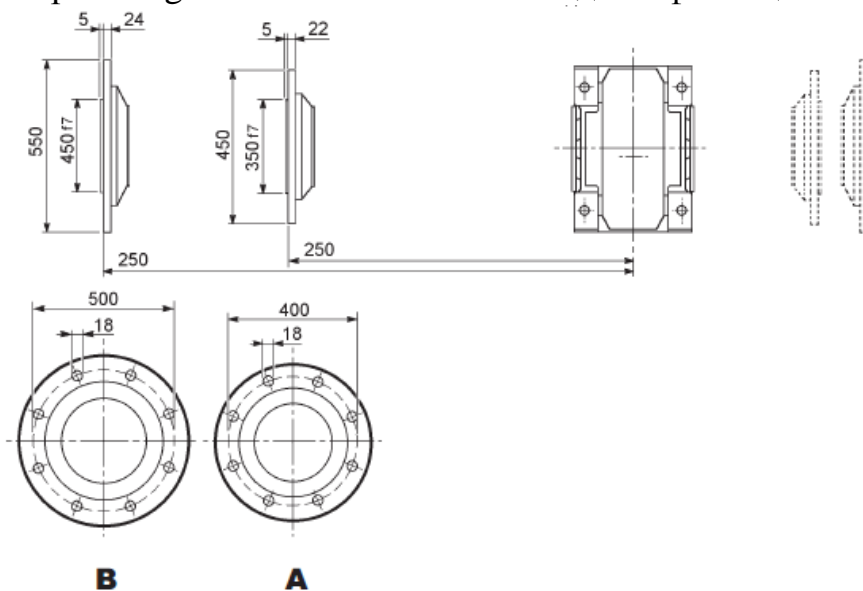
**A 80...P(IEC)**



|  |  | M  | M1   | M2 | N   | N1  | N2  | N3 | N4     | X   | P     | kg  |
|--|--|----|------|----|-----|-----|-----|----|--------|-----|-------|-----|
|  |  | 19 | 21.8 | 6  | 200 | 165 | 130 | —  | M10x12 | 4   | 602   | 243 |
|  |  | 24 | 27.3 | 8  | 200 | 165 | 130 | —  | M10x12 | 4   | 602   | 243 |
|  |  | 28 | 31.3 | 8  | 250 | 215 | 180 | —  | M12x16 | 4.5 | 612   | 245 |
|  |  | 28 | 31.3 | 8  | 250 | 215 | 180 | —  | M12x16 | 4.5 | 612   | 245 |
|  |  | 38 | 41.3 | 10 | 300 | 265 | 230 | 16 | 14     | 5   | 648.5 | 253 |
|  |  | 42 | 45.3 | 12 | 350 | 300 | 250 | 23 | 18     | 6   | 704   | 268 |
|  |  | 48 | 51.8 | 14 | 350 | 300 | 250 | 23 | 18     | 6   | 704   | 268 |
|  |  | 55 | 59.3 | 16 | 400 | 350 | 300 | —  | M16x25 | 7   | 729   | 279 |
|  |  | 60 | 64.4 | 18 | 450 | 400 | 350 | 25 | 18     | 6   | 774.5 | 298 |
|  |  | 11 | 12.8 | 4  | 140 | 115 | 95  | —  | M8x19  | 4   | 645.5 | 248 |
|  |  | 14 | 16.3 | 5  | 160 | 130 | 110 | —  | M8x16  | 4.5 | 645.5 | 248 |
|  |  | 19 | 21.8 | 6  | 200 | 165 | 130 | —  | M10x12 | 4   | 665   | 249 |
|  |  | 24 | 27.3 | 8  | 200 | 165 | 130 | —  | M10x12 | 4   | 665   | 249 |
|  |  | 28 | 31.3 | 8  | 250 | 215 | 180 | —  | M12x16 | 4.5 | 675   | 250 |
|  |  | 28 | 31.3 | 8  | 250 | 215 | 180 | —  | M12x16 | 4.5 | 675   | 250 |
|  |  | 38 | 41.3 | 10 | 300 | 265 | 230 | 16 | M12x16 | 5   | 711.5 | 259 |

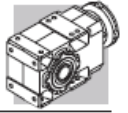
Конический редуктор Bonfiglioli A803 – A804. Выходной фланец.

**A 80...F...**

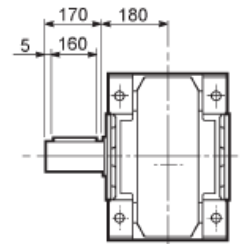
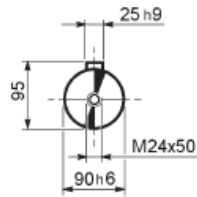


Конический редуктор Bonfiglioli A803 – A804. Выходной вал.

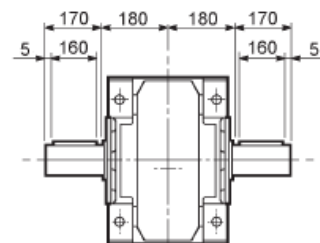
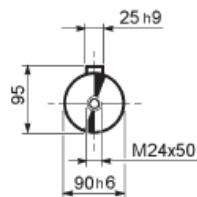
**A 80**



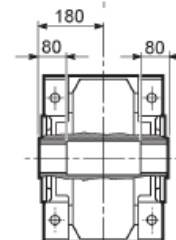
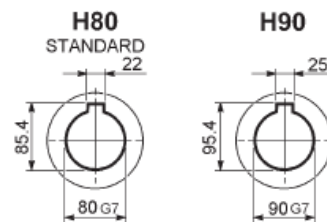
**A 80...UR**



**A 80...UD**



**A 80...UH**



**A 80...US**

