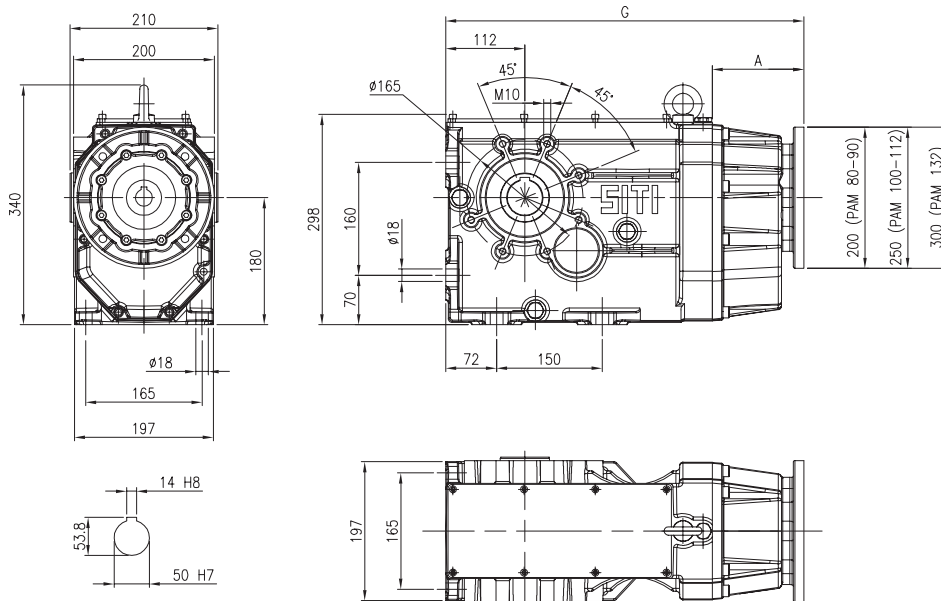
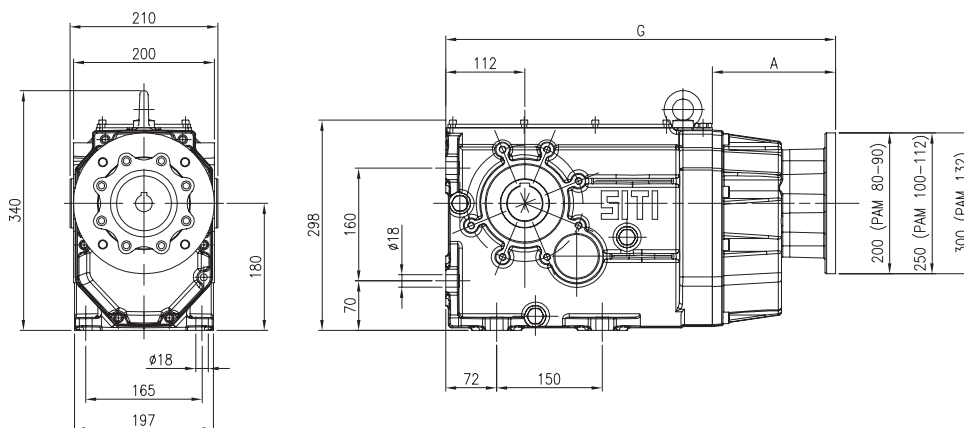


MBH 100

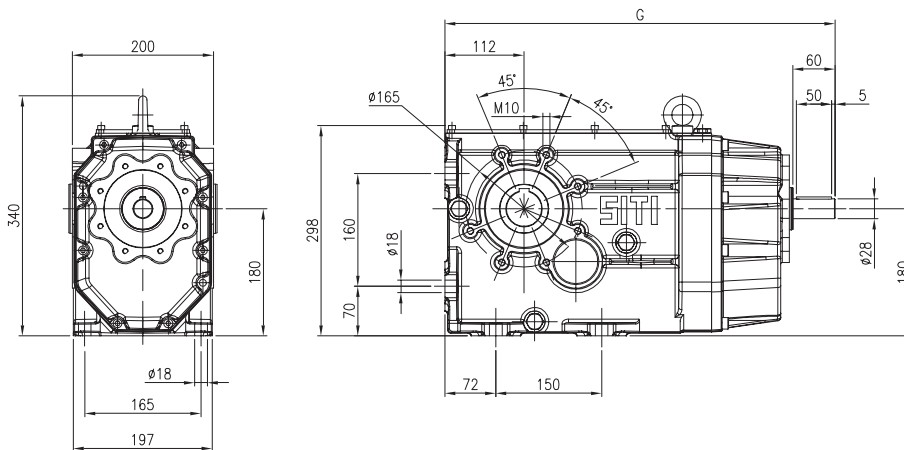


MBHGC 100

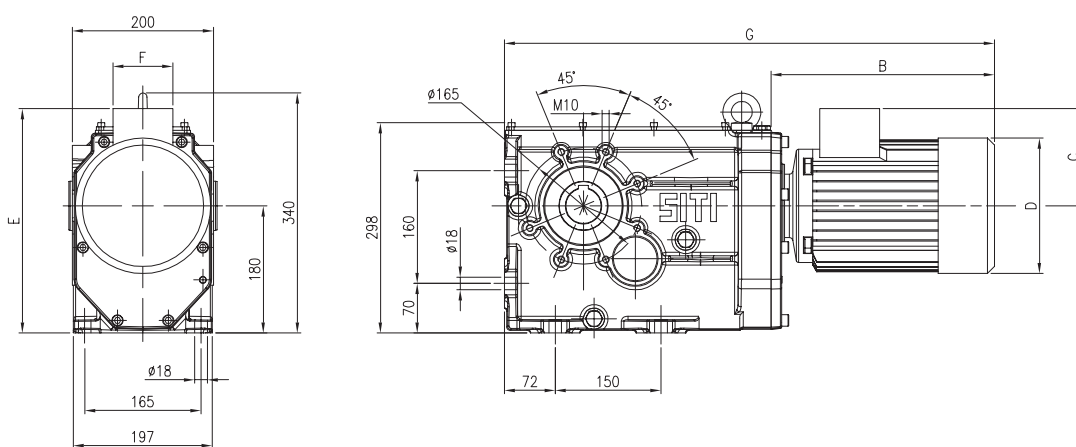


	A	B	C	D	E	F	G
BH 100							553
MBH100 PAM 80	130						508
MBH100 PAM 90	130						508
MBH100 PAM 100	130						508
MBH100 PAM 112	130						508
MBH100 PAM 132	130						508
MBHGC100 GR.80	175						553
MBHGC100 GR.90	175						553
MBHGC100 GR.100	175						553
MBHGC100 GR.112	175						553
MBHGC100 GR.132	240						618
MBHC100 GR.80		255	124	156	304	85	633
MBHC100 GR.90S		280	127	176	307	85	658
MBHC100 GR.90L		305	127	176	307	85	683
MBHC100 GR.100		317	138	192	278	85	621
MBHC100 GR.112		341	150	216	290	100	645
MBHC100 GR.132S		392	178	257	318	100	696
MBHC100 GR.132M		430	178	257	318	100	734

BH 100



MBHC 100



PAM DISPONIBILI

PAM VERSIONS AVAILABLE

VERFÜGBARE "PAM" AUSFÜHRUNGEN

i	MBH					MBHCGC							MBHC						
	80	90	100	112	132	80	90	100	112	132	160	80	90S	90L	100	112	132S	132M	
6,95																			
7,96																			
9,38																			
11,32																			
13,33																			
15,76																			
18,75																			
22,52																			
25,63																			
29,40																			
34,05																			
39,95																			
47,66																			
52,47																			
65,00																			
69,24																			
73,35																			
82,60																			
90,95																			
112,67																			
127,14																			
147,17																			
163,72																			
183,79																			