

Коническо-цилиндрический мотор-редуктор Bonfiglioli A903 – A904



A 90...M

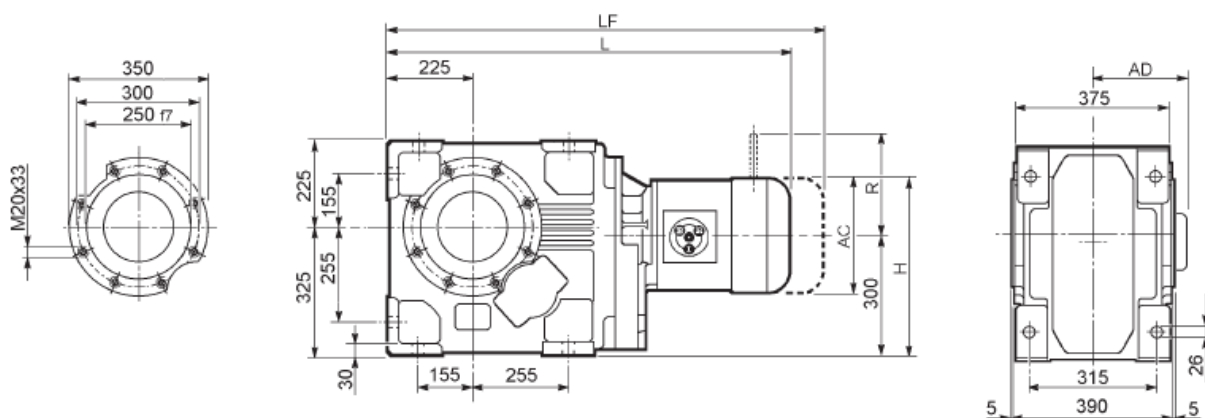


Image	S	M	AC	H	L	AD	Kg	M_FD M_FA		M_FD		M_FA	
								LF	Kg	R	AD	R	AD
	S3	M3S	195	397.5	930.5	142	413	1026.5	420	160	155	160	142
	S3	M3L	195	397.5	962.5	142	420	1053.5	427	160	155	160	142
	S4	M4	258	429	1070.5	193	454	1179.5	472	226	193	217	193
	S4	M4LC	258	429	1105.5	193	462	1204.5	480	226	193	217	193
	S5	M5S	310	455	1157	245	482	1297	512	266	245	247	245
	S5	M5L	310	455	1201	245	498	1341	528	266	245	247	245
	S1	M1S	138	369	917.5	108	411	980.5	247	103	132	124	108
	S1	M1L	138	369	941.5	108	412	1002.5	249	103	132	124	108
	S2	M2S	156	378	970.5	119	422	1040.5	426	129	143	134	119
	S3	M3S	195	397.5	1013.5	142	427	1109.5	434	160	155	160	142
	S3	M3L	195	397.5	1045.5	142	434	1136.5	441	160	155	160	142
	S4	M4	258	429	1153.5	193	468	1262.5	486	226	193	217	193

A 90...HS

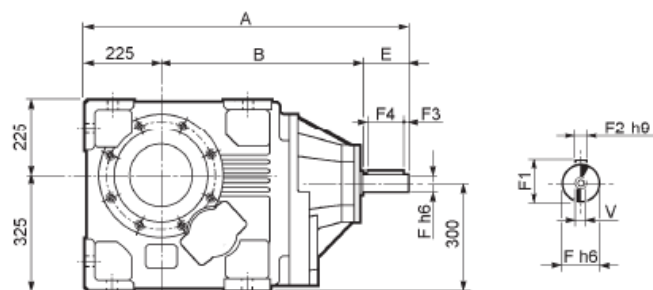
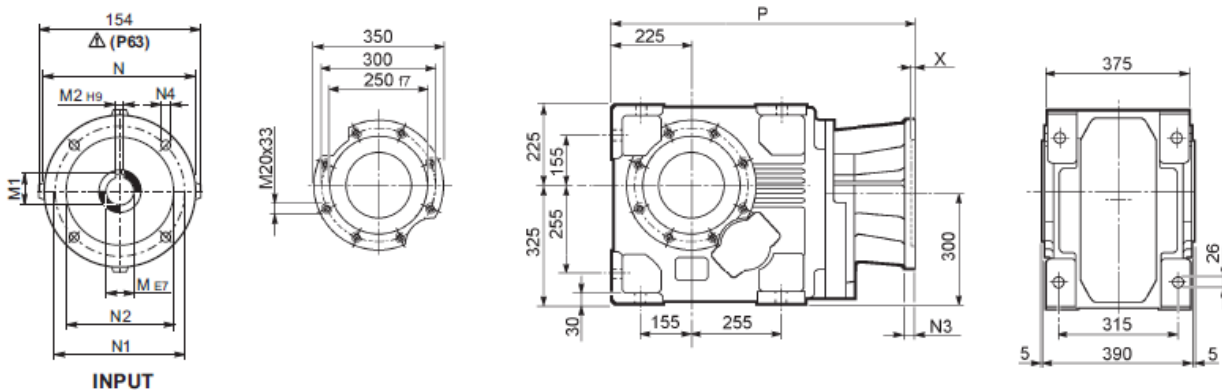
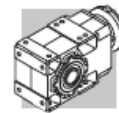


Image	HS	A	B	E	F	F1	F2	F3	F4	V	Kg
	HS	1009	644	140	60	64	18	10	120	M16x36	465
	HS	875.5	600.5	50	24	27	8	2.5	45	M8x19	415

Коническо-цилиндрический редуктор Bonfiglioli A903 – A904

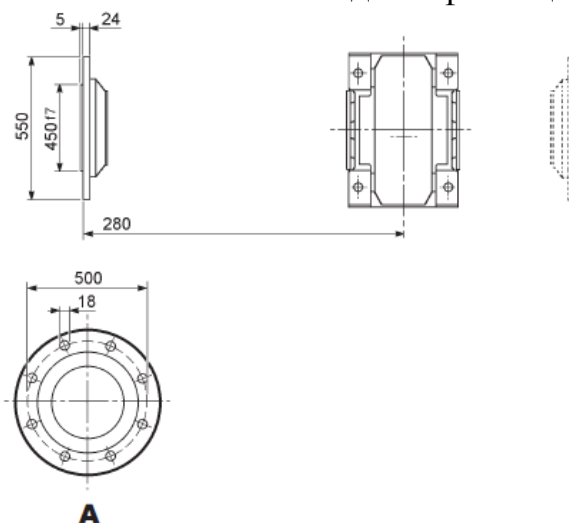
A 90...P(IEC)



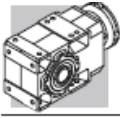
		M	M1	M2	N	N1	N2	N3	N4	X	P	kg
A 90 3	P80	19	21.8	6	200	165	130	—	M10x12	4	723	400
A 90 3	P90	24	27.3	8	200	165	130	—	M10x12	4	723	400
A 90 3	P100	28	31.3	8	250	215	180	—	M12x16	4.5	733	401
A 90 3	P112	28	31.3	8	250	215	180	—	M12x16	4.5	733	401
A 90 3	P132	38	41.3	10	300	265	230	16	14	5	769.5	409
A 90 3	P160	42	45.3	12	350	300	250	23	18	6	825	428
A 90 3	P180	48	51.8	14	350	300	250	23	18	6	825	429
A 90 3	P200	55	59.3	16	400	350	300	—	M16x25	7	850	436
A 90 3	P225	60	64.4	18	450	400	350	30	18	6	895.5	472
A 90 3	P250	65	69.4	18	550	500	450	30	18	6	925.5	475
A 90 4	P63	11	12.8	4	140	115	95	—	M8x19	4	786.5	411
A 90 4	P71	14	16.3	5	160	130	110	—	M8x16	4.5	786.5	412
A 90 4	P80	19	21.8	6	200	165	130	—	M10x12	4	806	413
A 90 4	P90	24	27.3	8	200	165	130	—	M10x12	4	806	413
A 90 4	P100	28	31.3	8	250	215	180	—	M12x16	4.5	816	415
A 90 4	P112	28	31.3	8	250	215	180	—	M12x16	4.5	816	415
A 90 4	P132	38	41.3	10	300	265	230	16	14	5	852.5	423
A 90 4	P160	42	45.3	12	350	300	250	23	18	5.5	903	434
A 90 4	P180	48	51.8	14	350	300	250	23	18	5.5	903	434

Конический редуктор Bonfiglioli A903 – A904. Выходной фланец.

A 90...F...

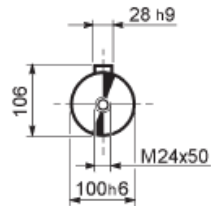


Конический редуктор Bonfiglioli A903 – A904. Выходной вал.

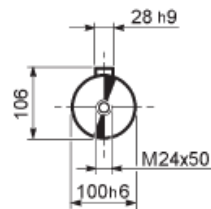


A 90

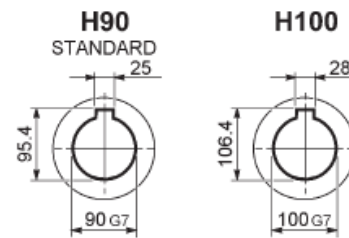
A 90...UR



A 90...UD



A 90...UH



A 90...US

