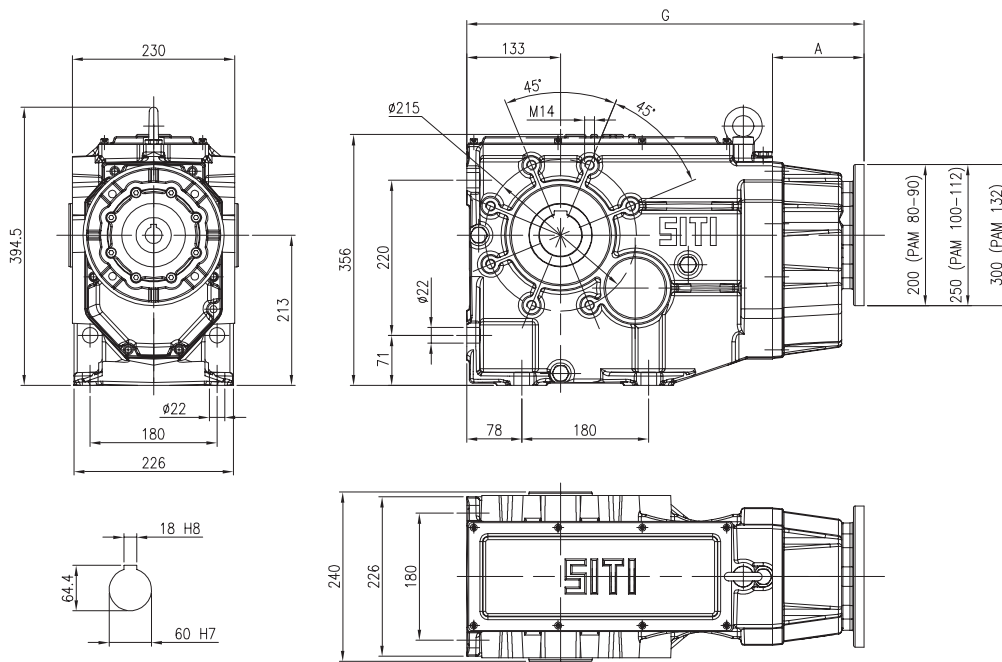
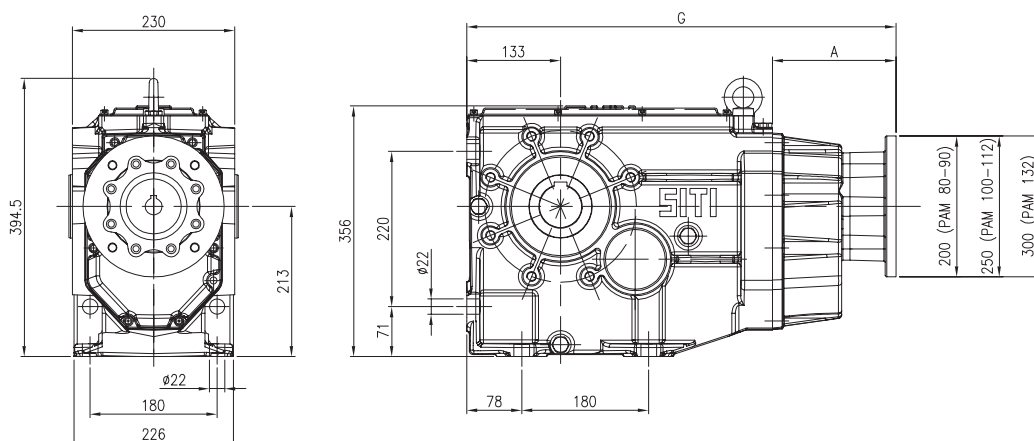


MBH 125

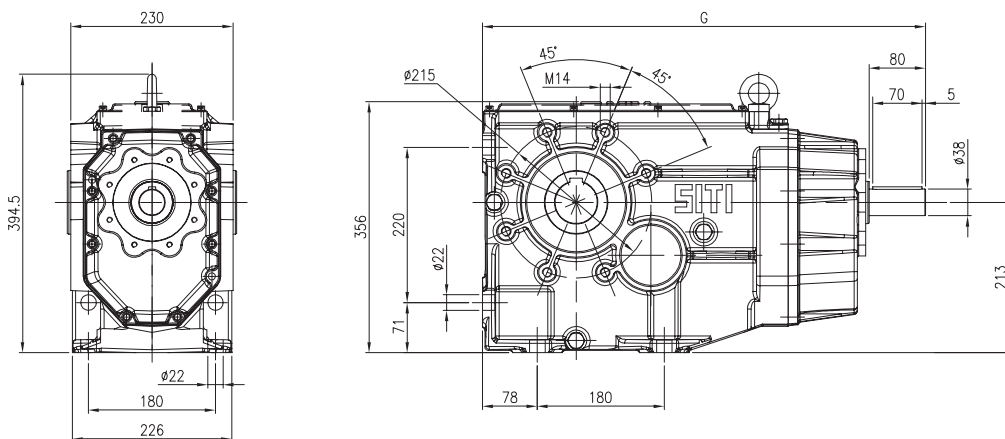


MBHGC 125

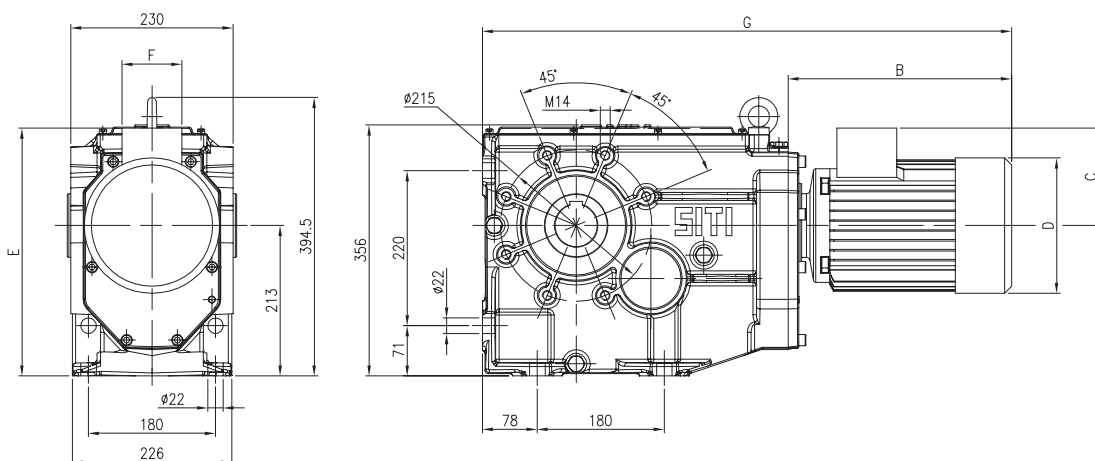


	A	B	C	D	E	F	G
BH 125							628,5
MBH125 PAM 80	130						563,5
MBH125 PAM 90	130						563,5
MBH125 PAM 100	130						563,5
MBH125 PAM 112	130						563,5
MBH125 PAM 132	130						563,5
MBH125 PAM 160	175						608,5
MBH125 PAM 180	175						608,5
MBHGC125 GR.80	175						608,5
MBHGC125 GR.90	175						608,5
MBHGC125 GR.100	175						608,5
MBHGC125 GR.112	175						608,5
MBHGC125 GR.132	240						673,5
MBHGC125 GR.160	240						673,5
MBHGC125 GR.180	240						673,5
MBHC125 GR.80		255	124	156	337	85	688,5
MBHC125 GR.90S		280	127	176	340	85	713,5
MBHC125 GR.90L		305	127	176	340	85	738,5
MBHC125 GR.100		317	138	192	351	85	750,5
MBHC125 GR.112		341	150	216	363	100	774,5
MBHC125 GR.132S		392	178	257	391	100	825,5
MBHC125 GR.132M		430	178	257	391	100	863,5

BH 125



MBHC 125



PAM DISPONIBILI

PAM VERSIONS AVAILABLE

VERFÜGBARE "PAM" AUSFÜHRUNGEN

i	MBH					MBHCGC								MBHC						
	80	90	100	112	132	80	90	100	112	132	160	180	80	90S	90L	100	112	132S	132M	
6,96																				
8,20																				
9,70																				
11,54																				
13,93																				
16,41																				
19,40																				
27,72																				
31,55																				
36,18																				
41,91																				
49,17																				
58,65																				
64,58																				
72,65																				
85,22																				
101,67																				
111,94																				
138,67																				
156,48																				
181,21																				
201,50																				
226,30																				