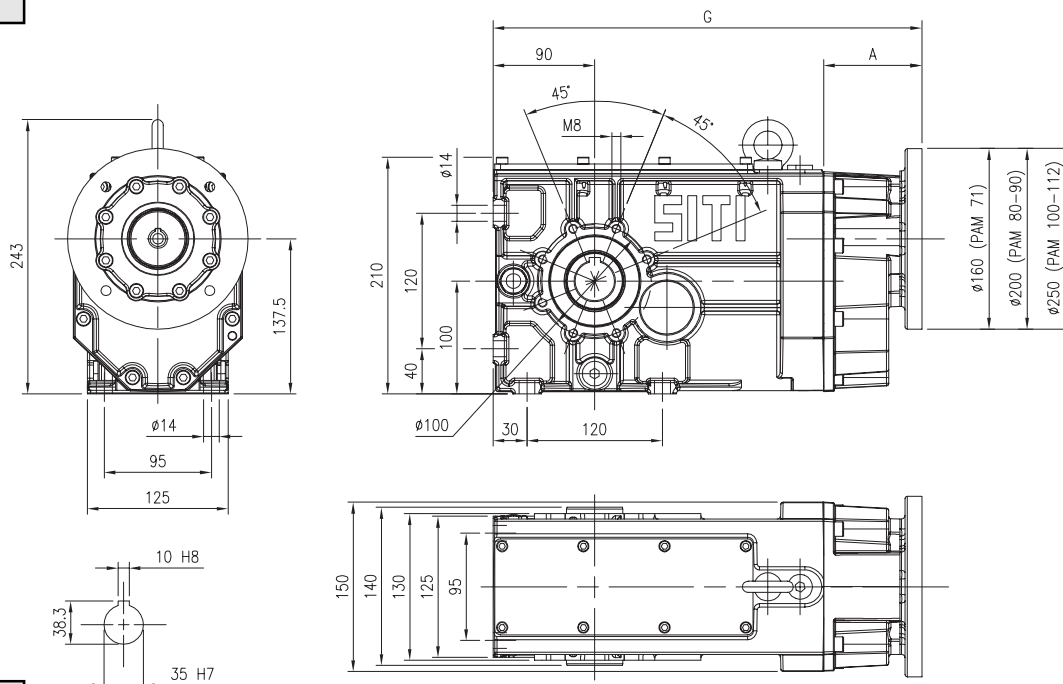
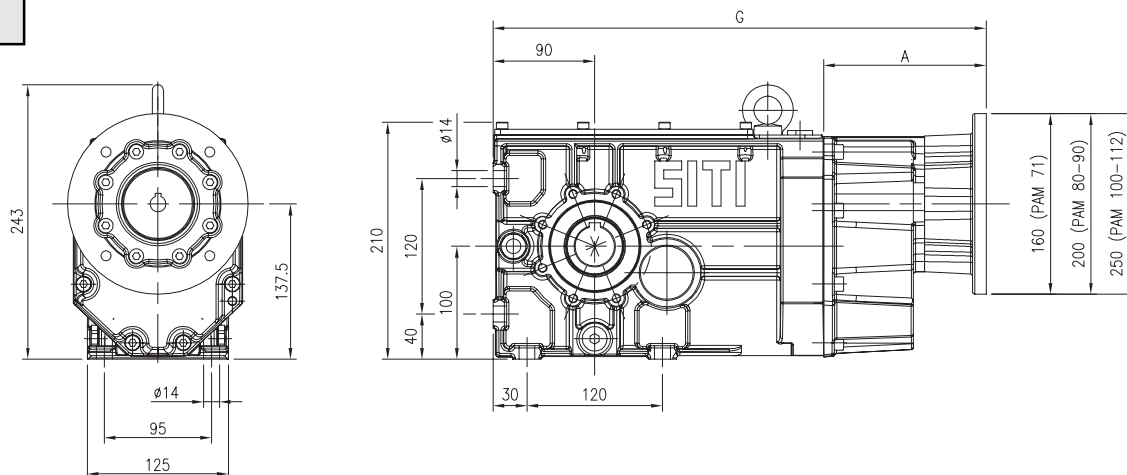


MBH 63

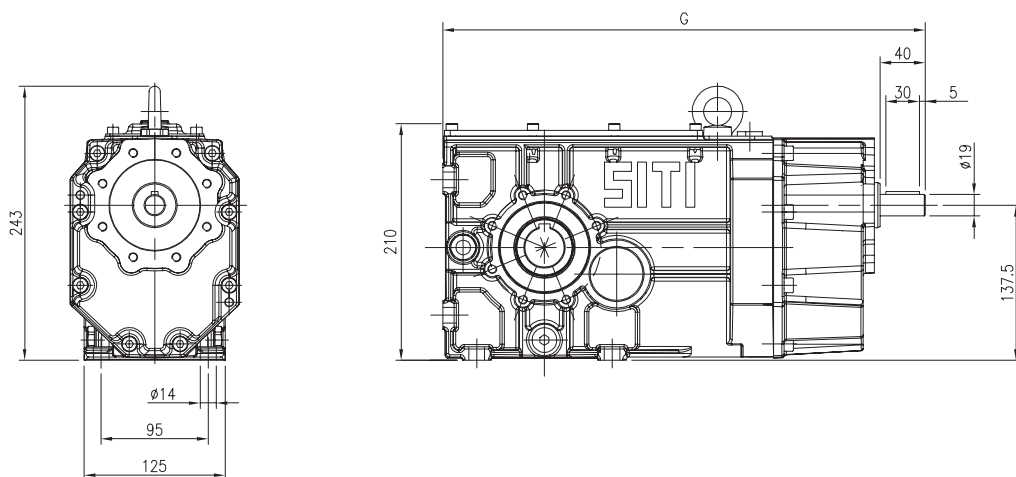


MBHGC 63

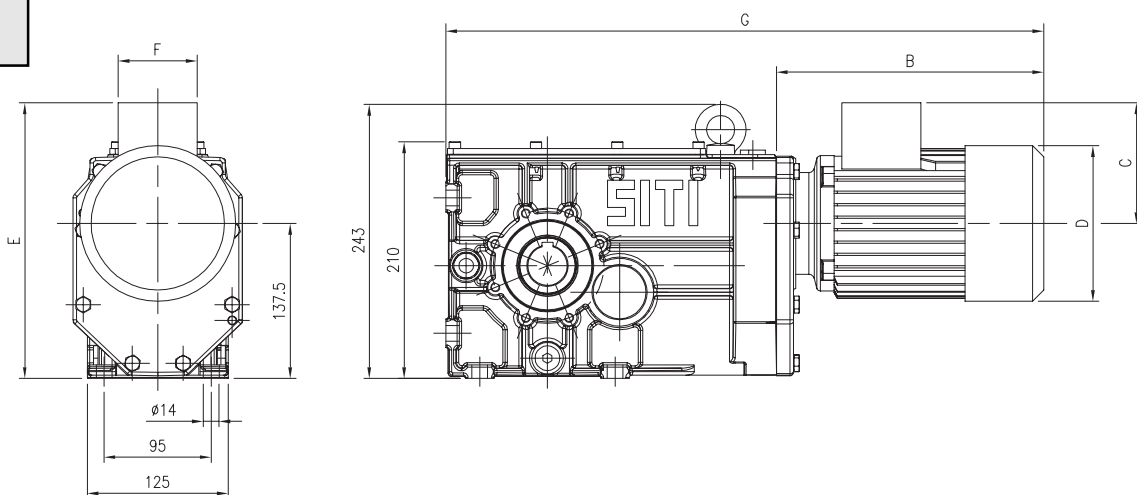


| | A | B | C | D | E | F | G |
|-----------------------|-------|-----|-----|-----|-------|-----|-------|
| BH 63 | | | | | | | 427,5 |
| MBH63 PAM 71 | 87 | | | | | | 380 |
| MBH63 PAM 80 | 87 | | | | | | 380 |
| MBH63 PAM 90 | 87 | | | | | | 380 |
| MBH63 PAM 100 | 109,5 | | | | | | 402,5 |
| MBH63 PAM 112 | 109,5 | | | | | | 402,5 |
| MBHGC63 GR.71 | 144 | | | | | | 437 |
| MBHGC63 GR.80 | 144 | | | | | | 437 |
| MBHGC63 GR.90 | 144 | | | | | | 437 |
| MBHGC63 GR.100 | 168 | | | | | | 461 |
| MBHGC63 GR.112 | 168 | | | | | | 461 |
| MBHC63 GR.71 | | 237 | 107 | 138 | 244,5 | 70 | 530 |
| MBHC63 GR.80 | | 253 | 124 | 156 | 261,5 | 85 | 546 |
| MBHC63 GR.90S | | 278 | 127 | 176 | 264,5 | 85 | 571 |
| MBHC63 GR.90L | | 303 | 127 | 176 | 264,5 | 85 | 596 |
| MBHC63 GR.100 | | 315 | 138 | 192 | 275,5 | 85 | 608 |
| MBHC63 GR.112 | | 339 | 150 | 216 | 287,5 | 100 | 632 |

BH 63



MBHC 63



PAM DISPONIBILI

PAM VERSIONS AVAILABLE

VERFÜGBARE "PAM" AUSFÜHRUNGEN

| i | MBH | | | | | MBHGC | | | | | MBHC | | | | | |
|--------|-----|----|----|-----|-----|-------|----|----|-----|-----|------|----|-----|-----|-----|-----|
| | 71 | 80 | 90 | 100 | 112 | 71 | 80 | 90 | 100 | 112 | 71 | 80 | 90S | 90L | 100 | 112 |
| 7,75 | | | | | | | | | | | | | | | | |
| 9,05 | | | | | | | | | | | | | | | | |
| 10,61 | | | | | | | | | | | | | | | | |
| 12,10 | | | | | | | | | | | | | | | | |
| 14,13 | | | | | | | | | | | | | | | | |
| 16,56 | | | | | | | | | | | | | | | | |
| 19,54 | | | | | | | | | | | | | | | | |
| 22,24 | | | | | | | | | | | | | | | | |
| 33,86 | | | | | | | | | | | | | | | | |
| 40,77 | | | | | | | | | | | | | | | | |
| 44,17 | | | | | | | | | | | | | | | | |
| 52,76 | | | | | | | | | | | | | | | | |
| 79,96 | | | | | | | | | | | | | | | | |
| 91,45 | | | | | | | | | | | | | | | | |
| 96,83 | | | | | | | | | | | | | | | | |
| 106,00 | | | | | | | | | | | | | | | | |
| 125,03 | | | | | | | | | | | | | | | | |
| 149,36 | | | | | | | | | | | | | | | | |
| 167,83 | | | | | | | | | | | | | | | | |
| 188,44 | | | | | | | | | | | | | | | | |