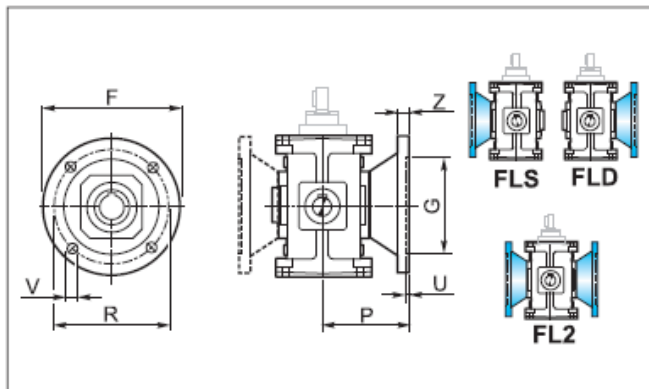


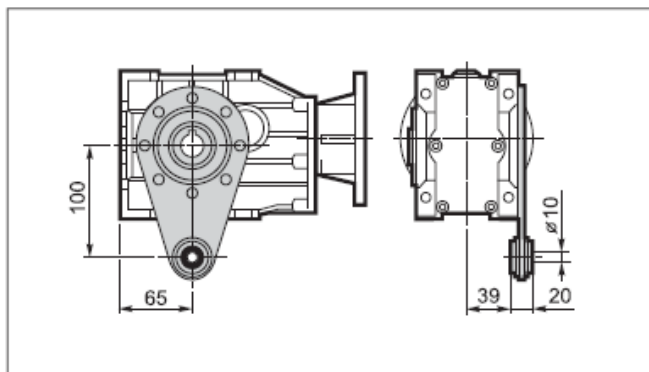
Выходной фланец



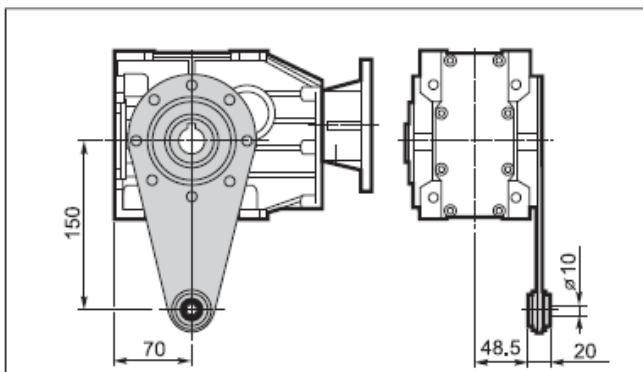
| | T | | | | | | | |
|-----------------|------------|------------|-----|------------|--------------|--------------|--------------|--------------|
| | 56B 56C | 63B 63C | 71B | 90B 80C | 112B 100C | 140B 125C | 180B 160C | 200B 180C |
| F | 140 | 160 | 160 | 200 | 250 | 300 | 350 | 400 |
| G _{G6} | 95 | 110 | 110 | 130 | 180 | 230 | 250 | 300 |
| R | 115 | 130 | 130 | 165 | 215 | 265 | 300 | 350 |
| P | 82 | 91.5 | 87 | 100 | 125 | 150 | 180 | 215 |
| U | 5 | 5 | 4 | 4.5 | 5 | 5 | 6 | 6 |
| V | 9 | 9 | 12 | 12 | 14 | 16 | 18 | 20 |
| Z | 15 | 10 | 10 | 12 | 16 | 20 | 25 | 30 |
| kg | 0.5 | 0.5 | 2 | 3.2 | 5 | 8 | 12.5 | 24 |

Реактивная штанга

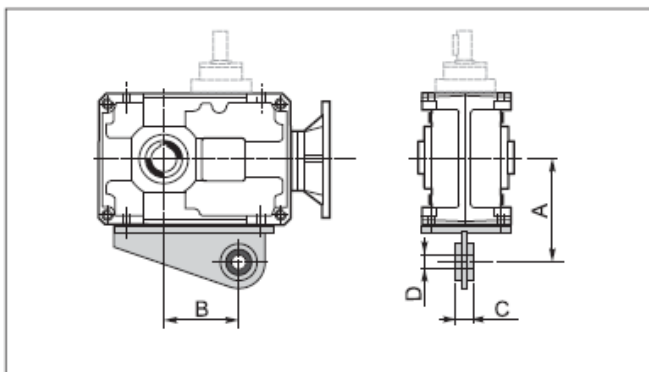
56B - 56C



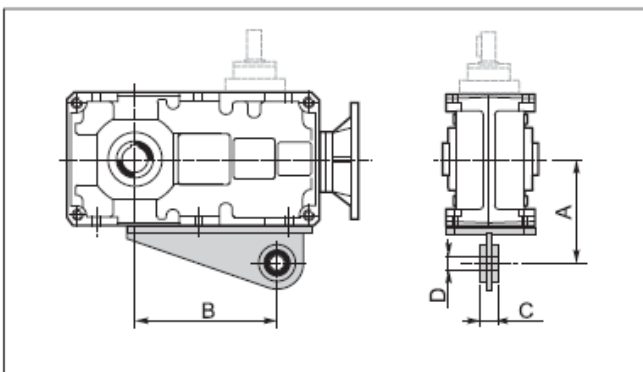
63B - 63C



71B - 225B



80C - 200C



| | T | | | | | | |
|---|-----|-----|------|------|-------|------|------|
| | 71B | 90B | 112B | 140B | 180B | 200B | 225B |
| A | 123 | 140 | 172 | 205 | 260 | 300 | 325 |
| B | 84 | 116 | 144 | 189 | 247.5 | 280 | 319 |
| C | 25 | 25 | 30 | 30 | 35 | 45 | 45 |
| D | 20 | 20 | 25 | 25 | 35 | 40 | 40 |

| | T | | | | | |
|---|-----|------|------|-------|------|-------|
| | 80C | 100C | 125C | 160C | 180C | 200C |
| A | 130 | 160 | 190 | 240 | 280 | 300 |
| B | 170 | 214 | 276 | 354.5 | 367 | 456.5 |
| C | 25 | 30 | 30 | 35 | 45 | 45 |
| D | 20 | 25 | 25 | 35 | 40 | 40 |