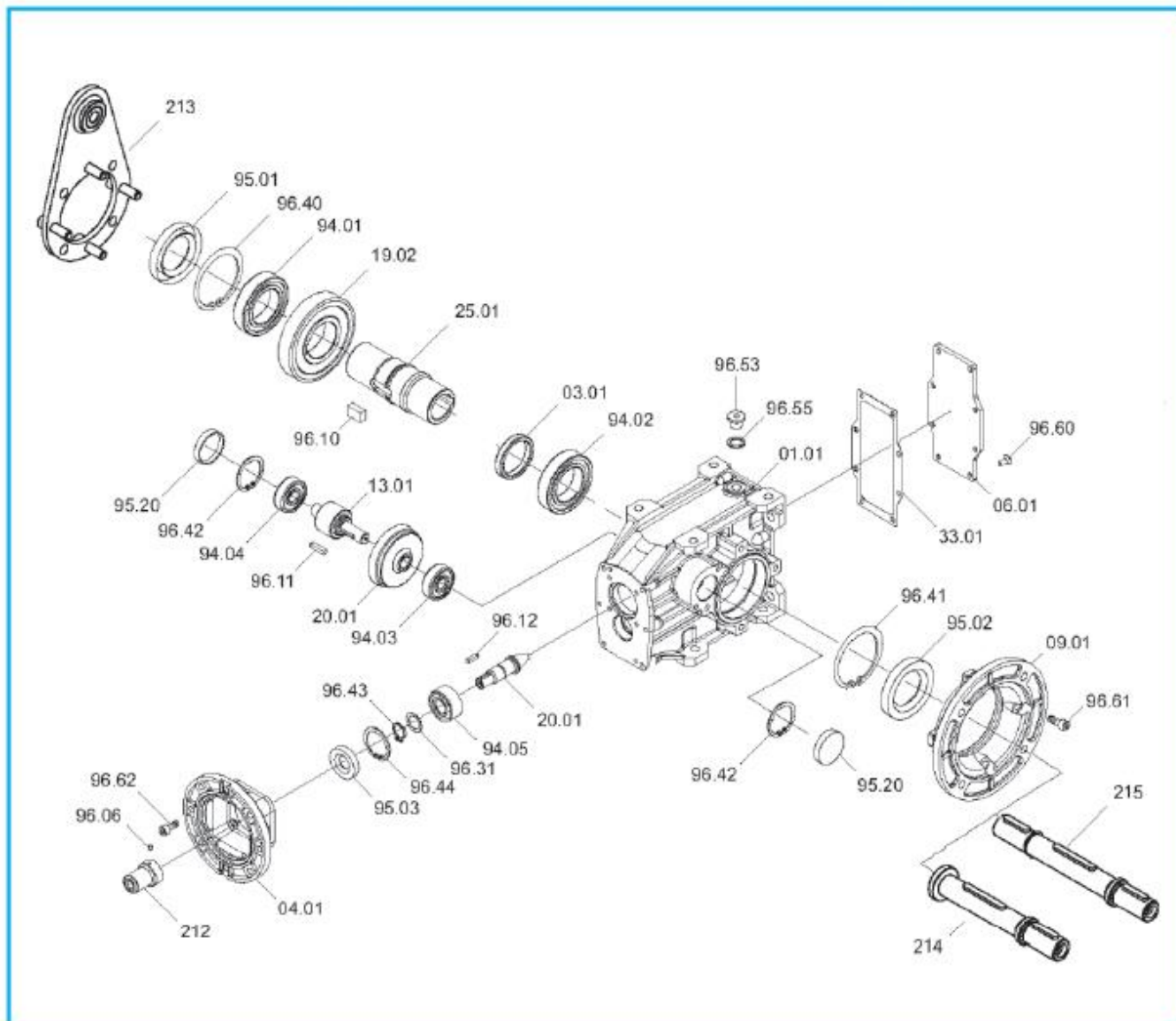


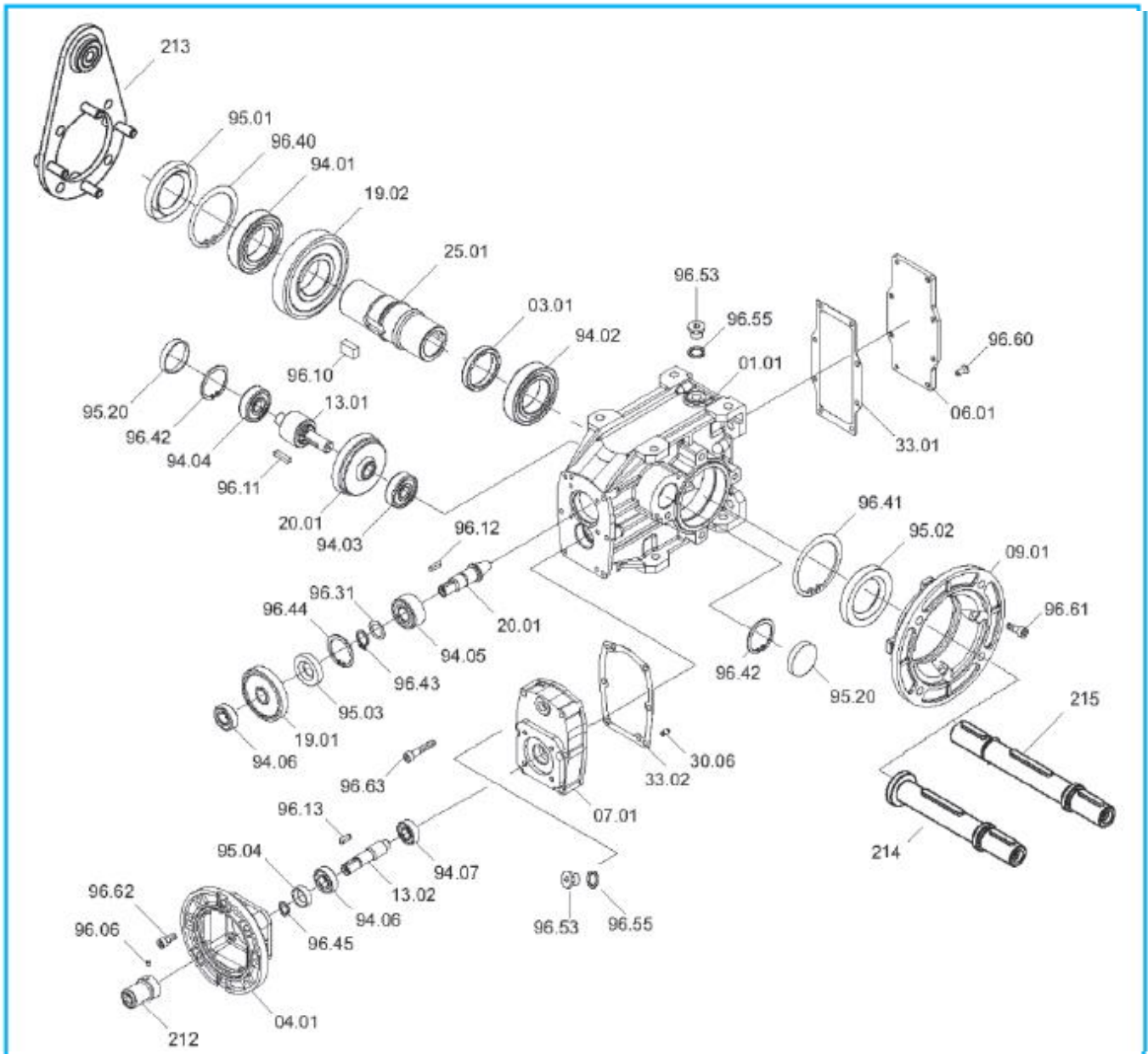
Детализировка и запасные части редукторов ТВ – ТС

TA/TF 56B - TA/TF 63B

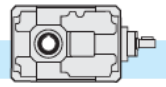


T	Cuscinetti/ Bearings / Lager					Anelli di tenuta / Oilseals / Öldichtungen		
	TA - TF					TA - TF		
	94.01	94.02	94.03	94.04	94.05	95.01	95.02	95.03
56B	6007 35/62/14	6007 35/62/14	6201 12/32/10	6201 12/32/10	3201 12/32/15.9	35/62/7	35/62/7	12/32/7
63B	6008 40/68/15	6008 40/68/15	6301 12/37/12	6301 12/37/12	3202 15/35/15.9	40/68/10	40/68/10	15/35/7

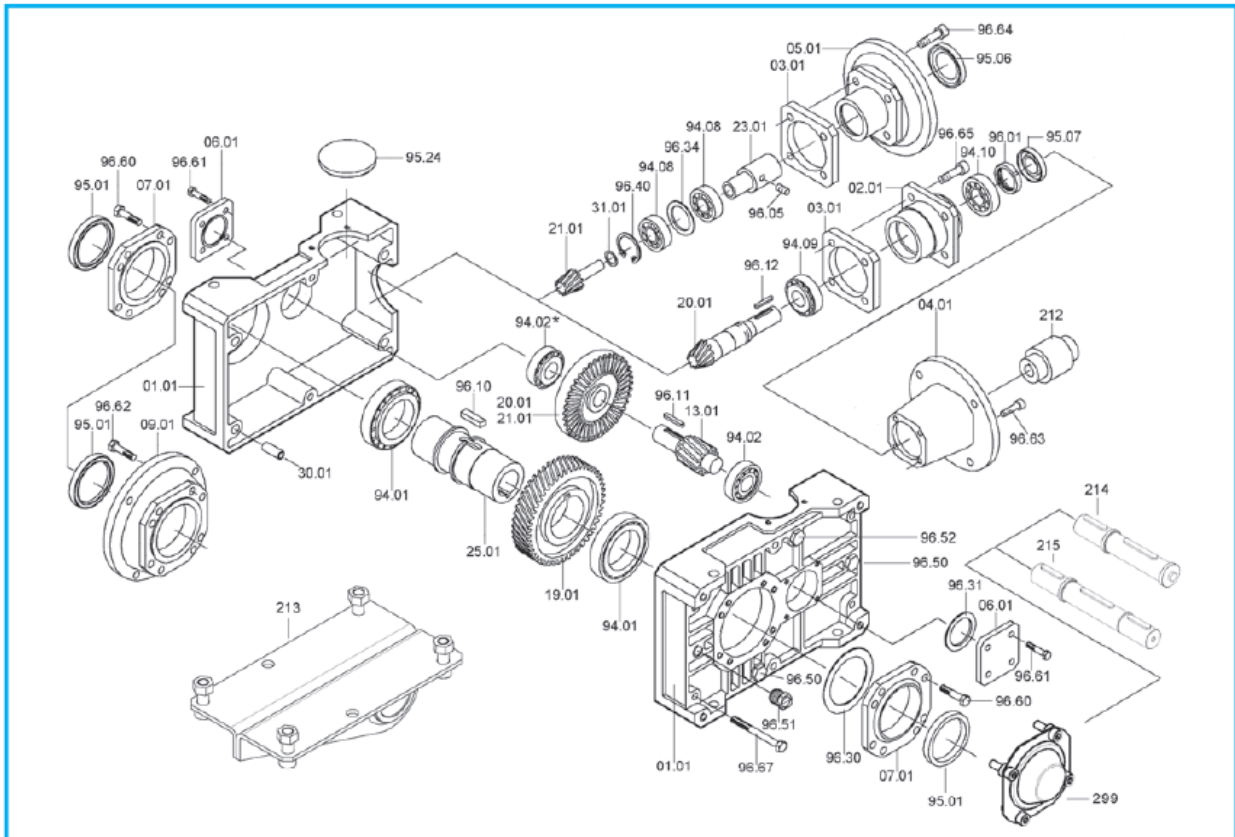
TA/TF 56C - TA/TF 63C



T	Cuscinetti/ Bearings / Lager							Anelli di tenuta / Oilseals / Öldichtungen			
	TA - TF							TA - TF			
	94.01	94.02	94.03	94.04	94.05	94.06	94.07	95.01	95.02	95.03	95.04
56C	6007 35/62/14	6007 35/62/14	6201 12/32/10	6201 12/32/10	3201 12/32/15.9	6001 12/28/8	6000 10/26/8	35/62/7	35/62/7	12/32/7	12/22/7
63C	6008 40/68/15	6008 40/68/15	6301 12/37/12	6301 12/37/12	3202 15/35/15.9	6001 12/28/8	6000 10/26/8	40/68/10	40/68/10	15/35/7	12/22/7



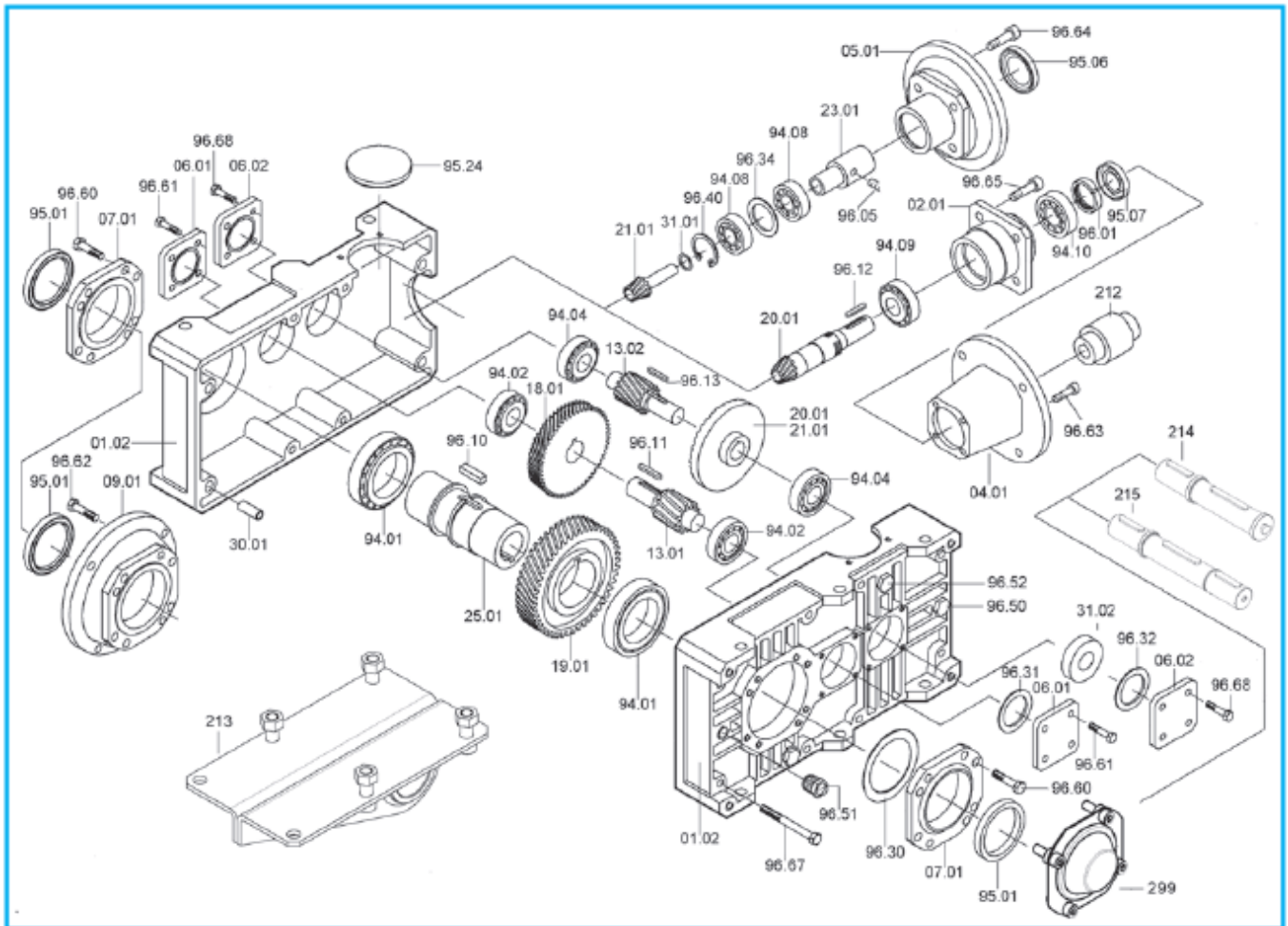
TA..B - TC..B - TF..B



T	Cuscinetti / Bearings / Lager					Anelli di tenuta / Oilseals / Öldichtungen				
	TA - TC - TF		TC	TA - TF		TA - TC - TF	TC		TA - TF	
	94.01	94.02	94.08	94.09	94.10	95.01	IEC	95.06	95.07	
71B	32008 40/68/19	30302 15/42/14.25	7203 17/40/12	30203 17/40/13.25		40/56/8	63	25/52/7	15/40/10	
							71	30/52/7		
							80	35/52/7		
							90	37/52/8		
90B	32010 50/80/20	30204 20/47/15.25	7205 25/52/15	32005 25/47/15		50/65/8	71 - 80	35/62/7	20/47/7	
							90	40/62/7		
							100 - 112	45/62/8		
112B	32012 60/95/23	30305 25/62/18.25	7206 30/62/16	32006 30/55/17		60/80/10	80 - 90	40/72/7	25/58/10	
							100 - 112	45/72/8		
							132	55/72/10		
140B	32015 75/115/25	32206B 30/62/21.25	7207 35/72/17	32007 35/62/18		75/95/10	80 - 90	45/80/10	30/62/7	
							100 - 112	45/80/10		
							132	55/80/10		
							160	60/80/8		
180B	32019 95/145/32	31307 / (32208)* 35/80/22.75 / (40/80/24.75)*	7209 45/85/19	32009 45/75/20		95/125/12	100 - 112	55/100/13	40/80/10	
							132 - 160	60/100/10		
							180	65/100/10		
							200	75/100/10		
200B	32024 120/180/38	31309 45/100/27.25	7209 45/85/19	33109 45/80/26		120/160/15	100 - 112	55/100/13	40/80/10	
							132 - 160	60/100/10		
							180	65/100/10		
							200	75/100/10		
225B	32026 130/200/45	31310 50/110/29.25	—	33111 55/95/30	32011 55/90/23	130/160/12	—	—	50/90/10	

* Presente solo nella versione con antiretro / Only on version with back stop device / Nur für die Version mit Rücklaufperre

TA..C - TC..C - TF..C



T	Cuscinetti / Bearings / Lager					Anelli di tenuta / Oilseals / Öldichtungen				
	TA - TC - TF			TC	TA - TF		TA - TC - TF	TC		TA - TF
	94.01	94.02	94.04	94.08	94.09	94.10	95.01	IEC	95.06	95.07
80C	32010	30204	30302	7203	30203		50/65/8	63	25/52/7	15/40/10
	50/80/20	20/47/15.25	15/42/14.25	17/40/12	17/40/13.25			71	30/52/7	
								80	35/52/7	
								90	37/52/8	
100C	32012	30305	30204	7205	32005		60/80/10	71 - 80	35/62/7	20/47/7
	60/95/23	25/62/18.25	20/47/15.25	25/52/15	25/47/15			90	40/62/7	
								100 - 112	45/62/8	
								80 - 90	40/72/7	
125C	32015	32206	30305	7206	32006		75/95/10	100 - 112	45/72/8	25/58/10
	75/115/25	30/62/21.25	25/62/18.25	30/62/16	30/55/17			132	55/72/10	
								80 - 90	45/80/10	
								100 - 112	45/80/10	
160C	32019	32207	32206	7207	32007		95/125/12	132	55/80/10	30/62/7
	95/145/32	35/72/24.25	30/62/21.25	35/72/17	35/62/18			160	60/80/8	
								180	65/80/8	
								80 - 90	45/80/13	
180C	32024	31309	32206	7207	32007		120/160/15	100 - 112	45/80/10	30/62/7
	120/180/38	45/100/27.25	30/62/21.25	35/72/17	35/62/18			132	55/80/10	
								160	60/80/10	
								180	65/80/10	
200C	32026	31310	30307	7209	32009		130/160/12	100 - 112	55/100/13	40/80/10
	130/200/45	50/110/29.25	35/80/22.75	45/85/38	45/75/20			132 - 160	60/100/10	
								180	65/100/10	
								200	75/100/10	